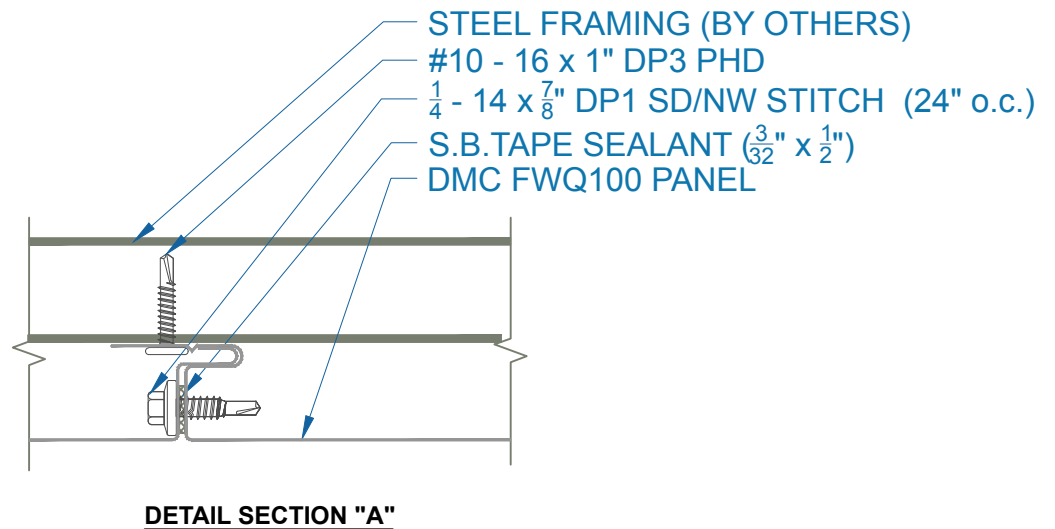
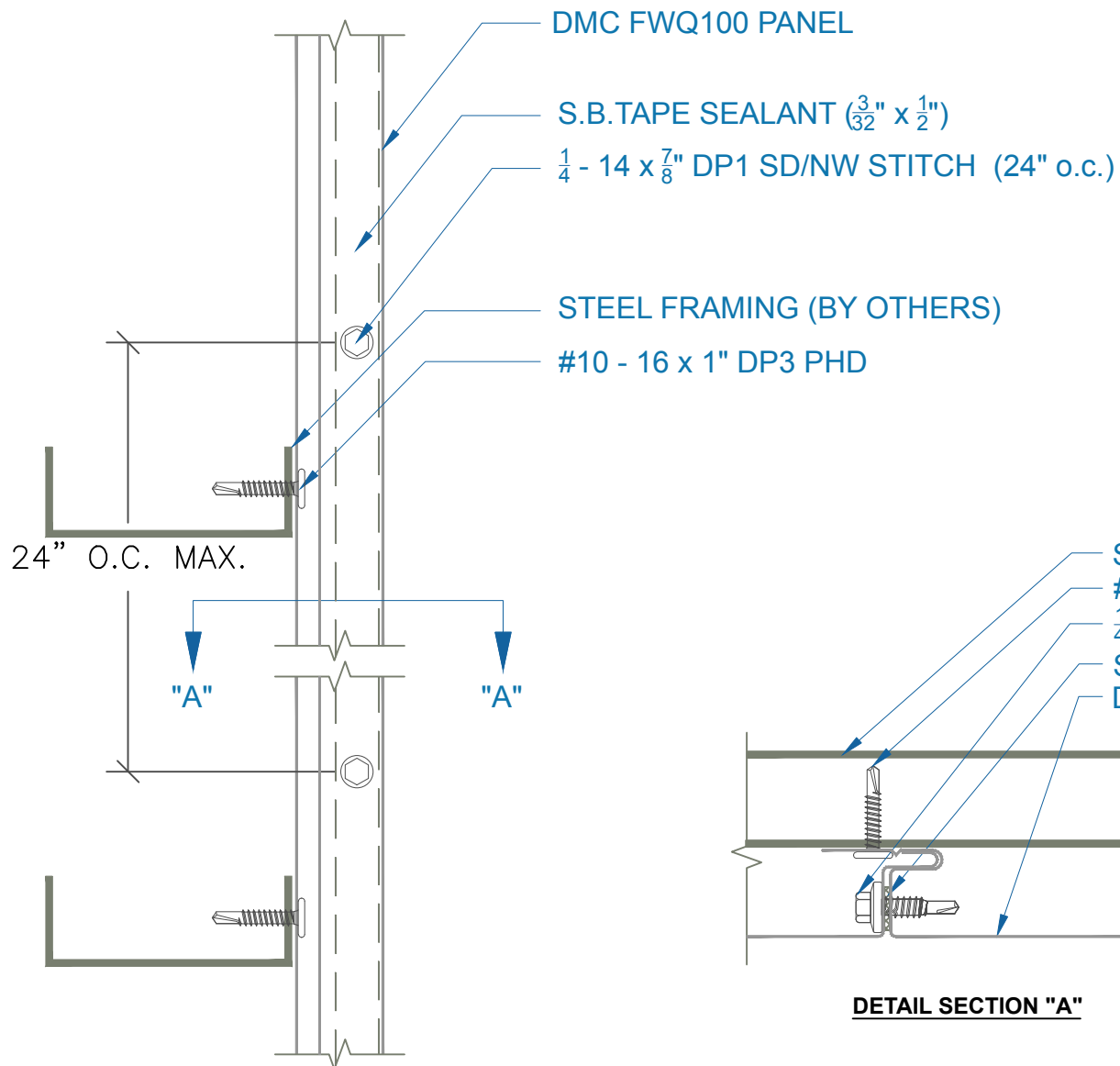


DMC FWQ100 - OPEN FRAMING



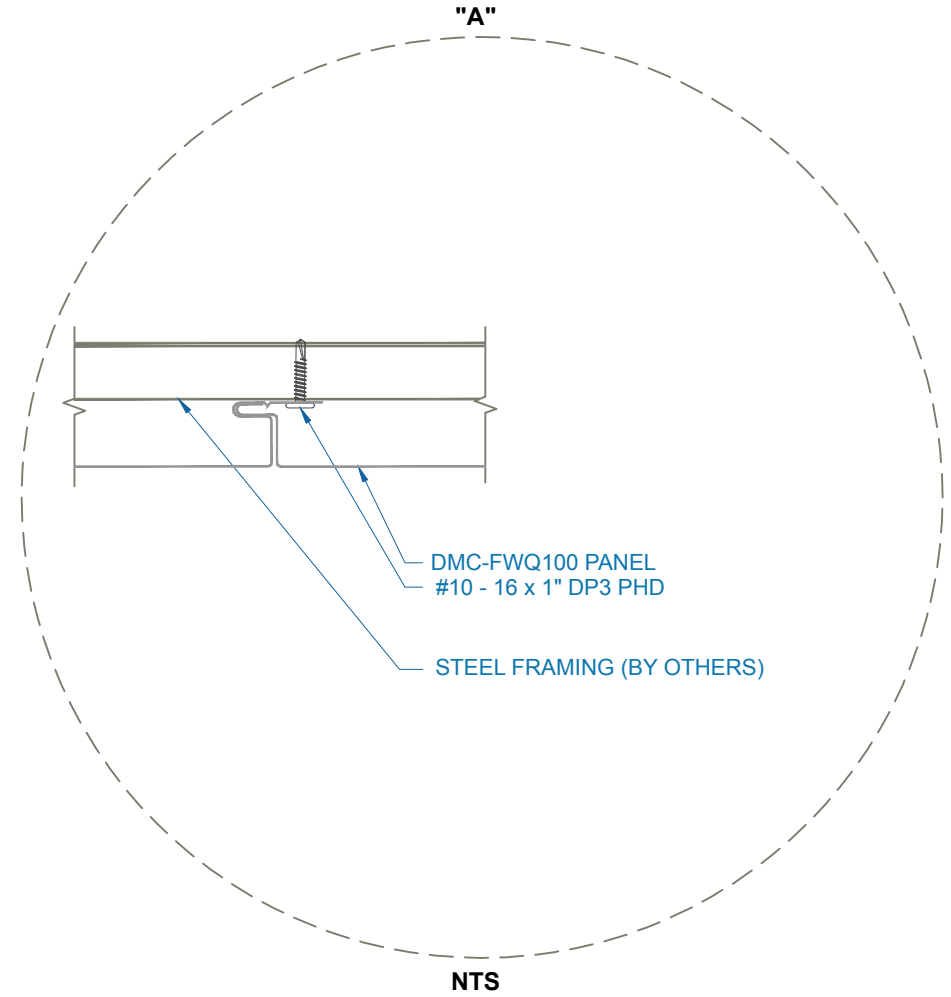
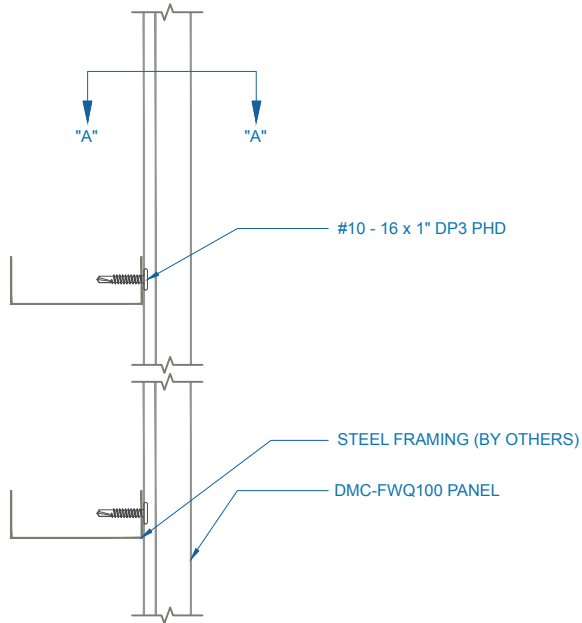
WALL PANEL INSTALLATION

SCALE: 6" = 1'-0"

EFFECTIVE DATE: 07-1-17
SUBJECT TO CHANGE WITHOUT NOTICE



DMC FWQ100 - OPEN FRAMING



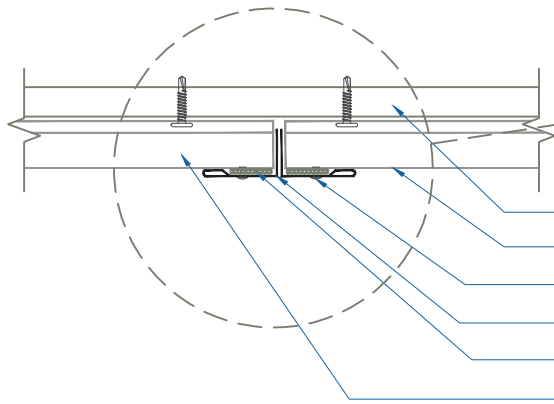
SOFFIT PANEL INSTALLATION

SCALE: 3" = 1'-0"

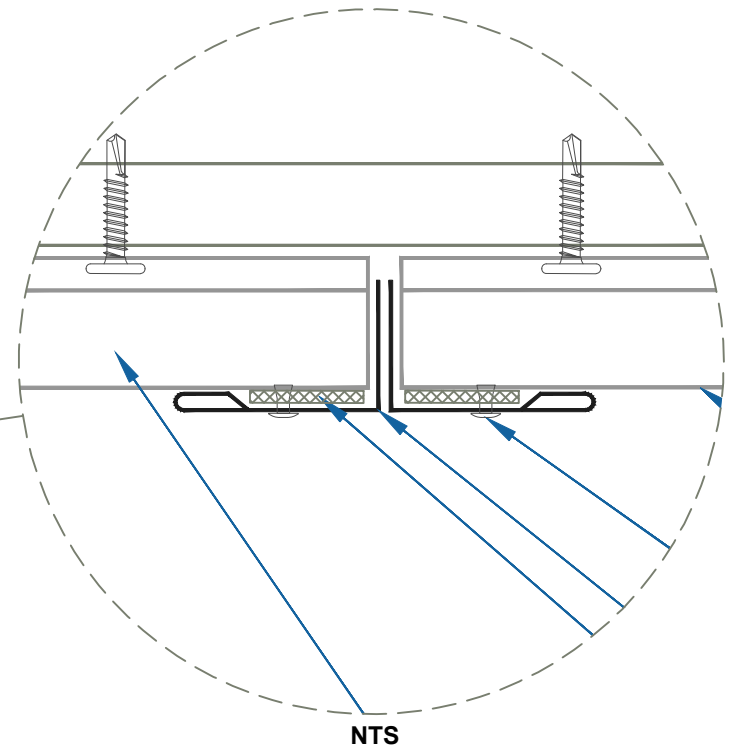
EFFECTIVE DATE: 07-1-17
SUBJECT TO CHANGE WITHOUT NOTICE

DMC FWQ100 - OPEN FRAMING

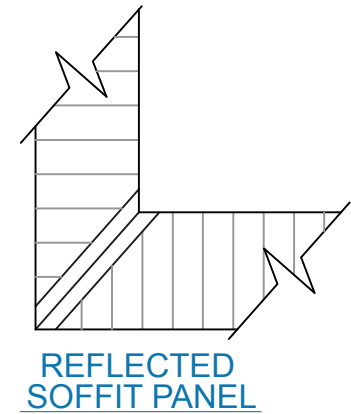
ZOOMED IN VIEW



- FRAMING MEMBER (BY OTHERS)
- DMC-FWQ100 PANEL
- 1/8" x 3/16" POP RIVET (12" o.c.)
- CORNER SPLICE TRIM
- S.B.TAPE SEALANT
- #10 - 16 x 1" DP3 PHD (12" o.c.)



NTS



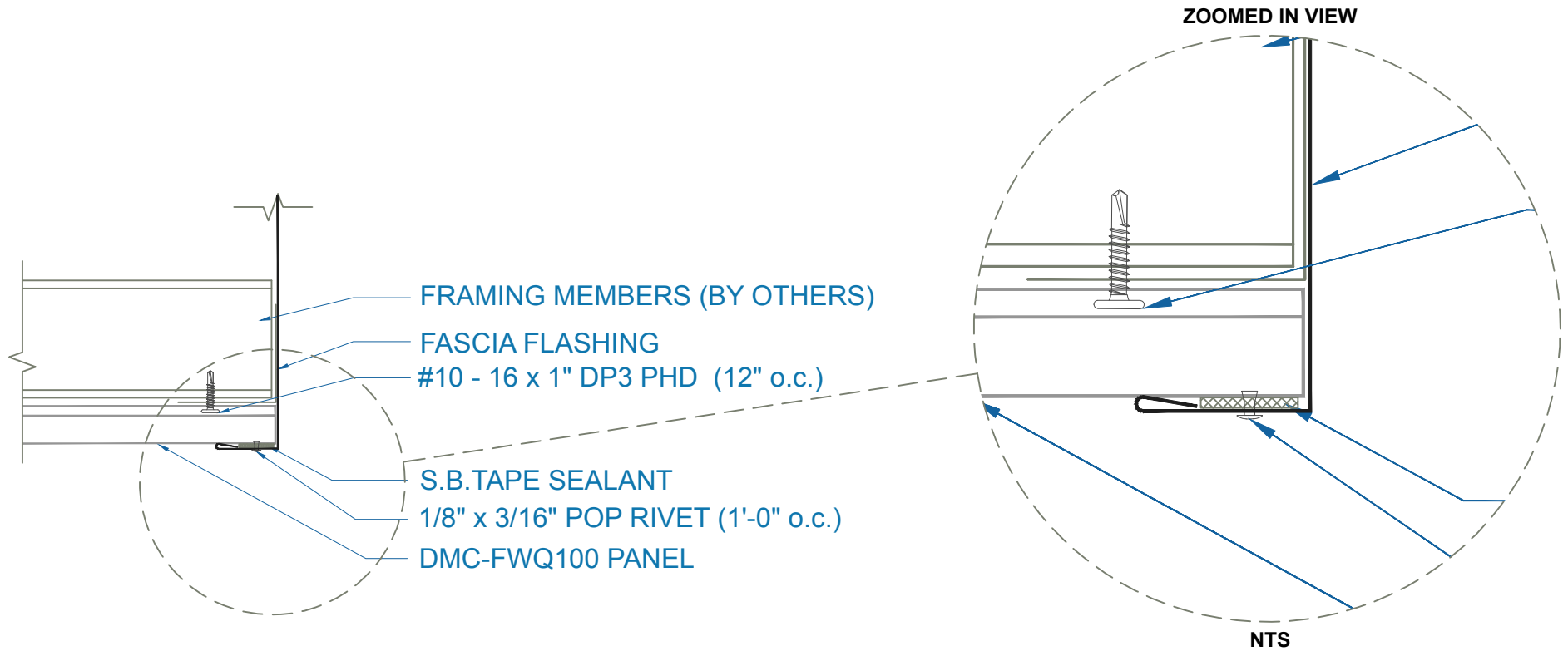
CORNER SPLICE

SCALE: 3" = 1'-0"

EFFECTIVE DATE: 07-1-17
SUBJECT TO CHANGE WITHOUT NOTICE



DMC FWQ100 - OPEN FRAMING



EFFECTIVE DATE: 07-1-17
SUBJECT TO CHANGE WITHOUT NOTICE

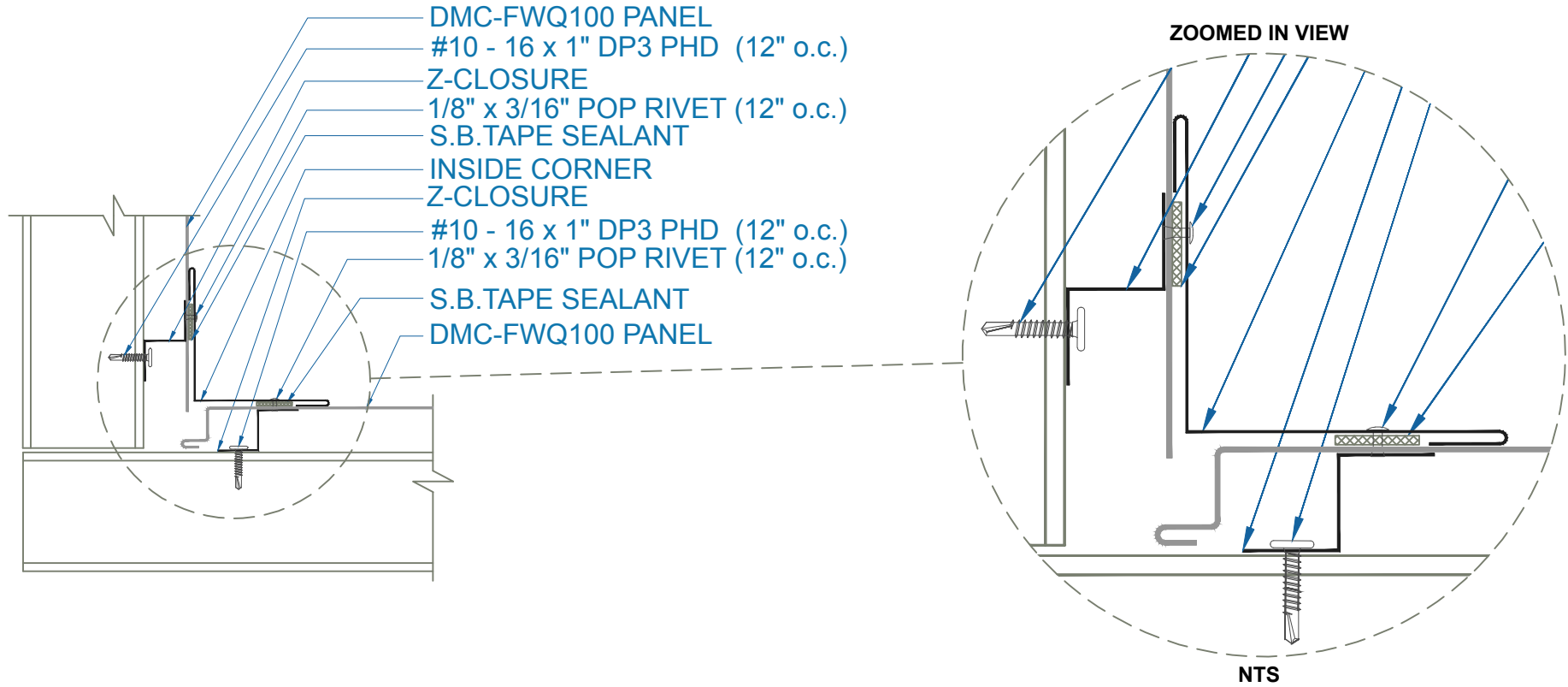
FASCIA TO SOFFIT

SCALE: 3" = 1'-0"

DrexelMetals
Roofing Systems + Custom Fabrication



DMC FWQ100 - OPEN FRAMING



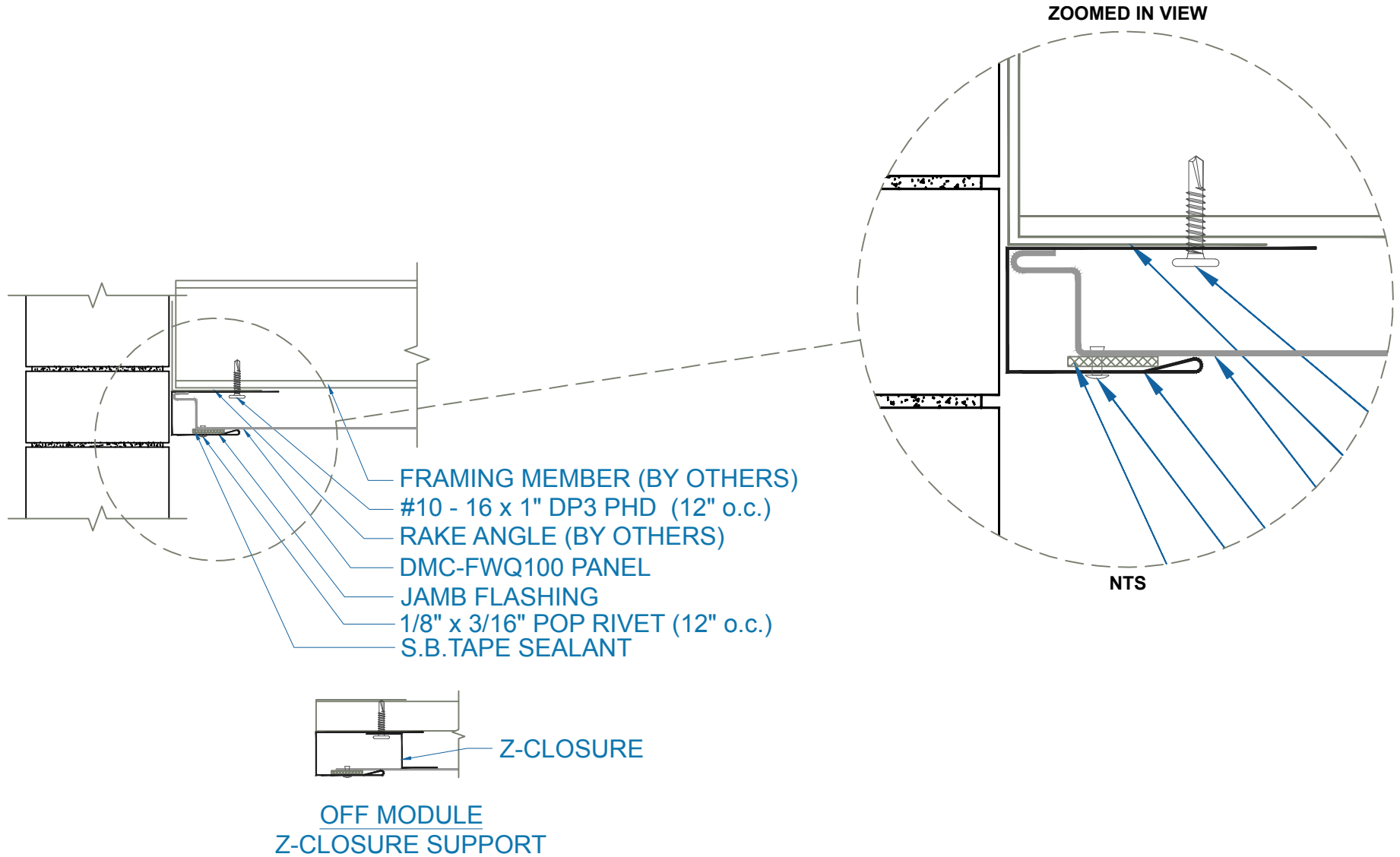
EFFECTIVE DATE: 07-1-17
SUBJECT TO CHANGE WITHOUT NOTICE

INSIDE CORNER

SCALE: 3" = 1'-0"



DMC FWQ100 - OPEN FRAMING



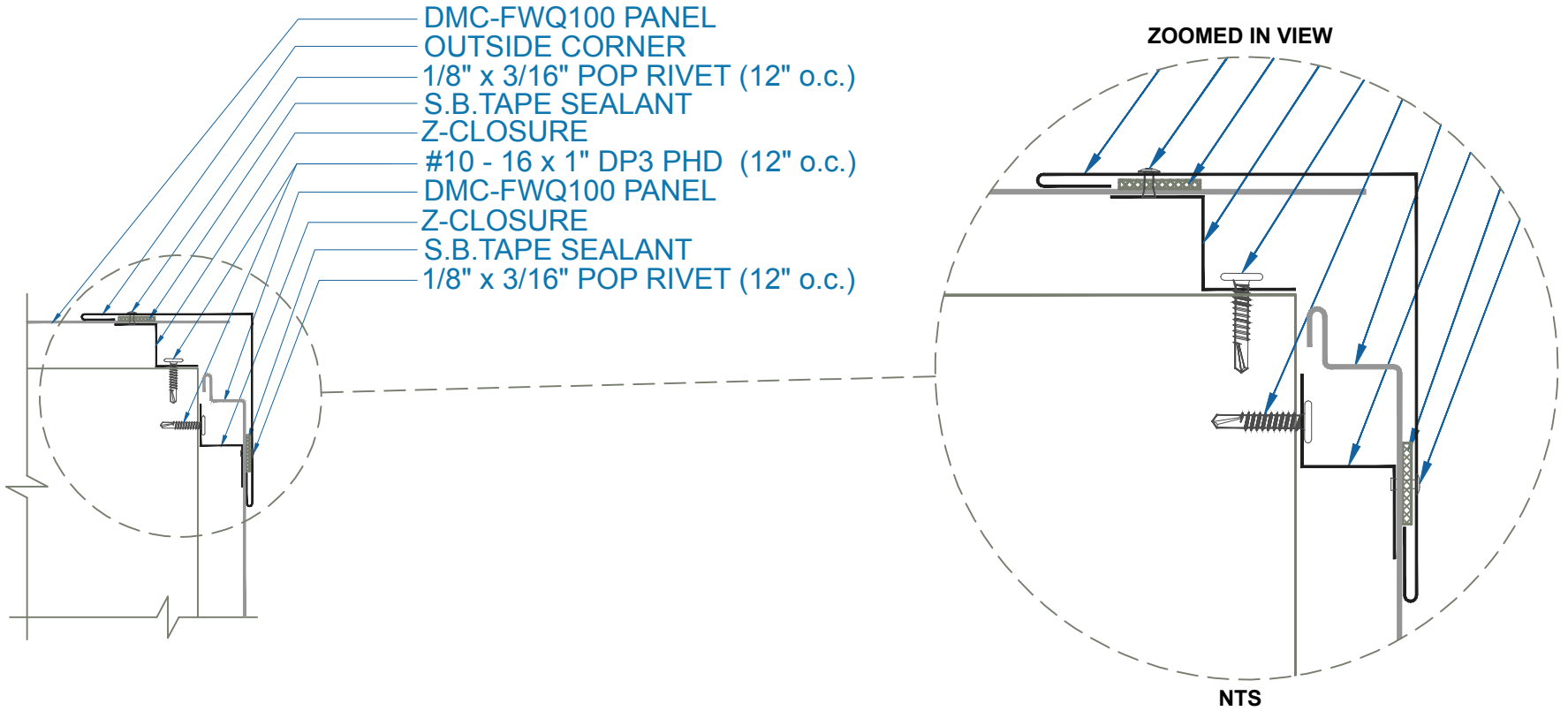
EFFECTIVE DATE: 07-1-17
SUBJECT TO CHANGE WITHOUT NOTICE

JAMB
SCALE: 3" = 1'-0"

DrexelMetals
Roofing Systems + Custom Fabrication



DMC FWQ100 - OPEN FRAMING



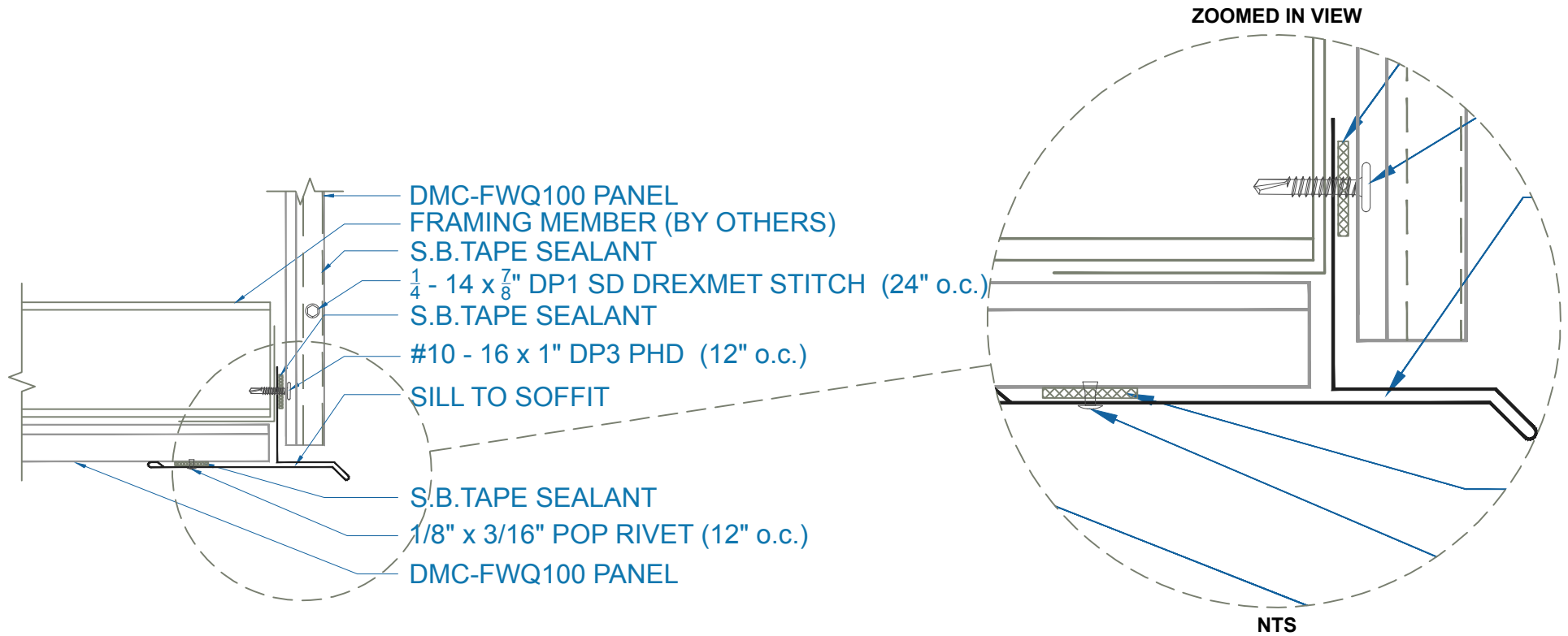
OUTSIDE CORNER

SCALE: 3" = 1'-0"

EFFECTIVE DATE: 07-1-17
SUBJECT TO CHANGE WITHOUT NOTICE



DMC FWQ100 - OPEN FRAMING



EFFECTIVE DATE: 07-1-17
SUBJECT TO CHANGE WITHOUT NOTICE

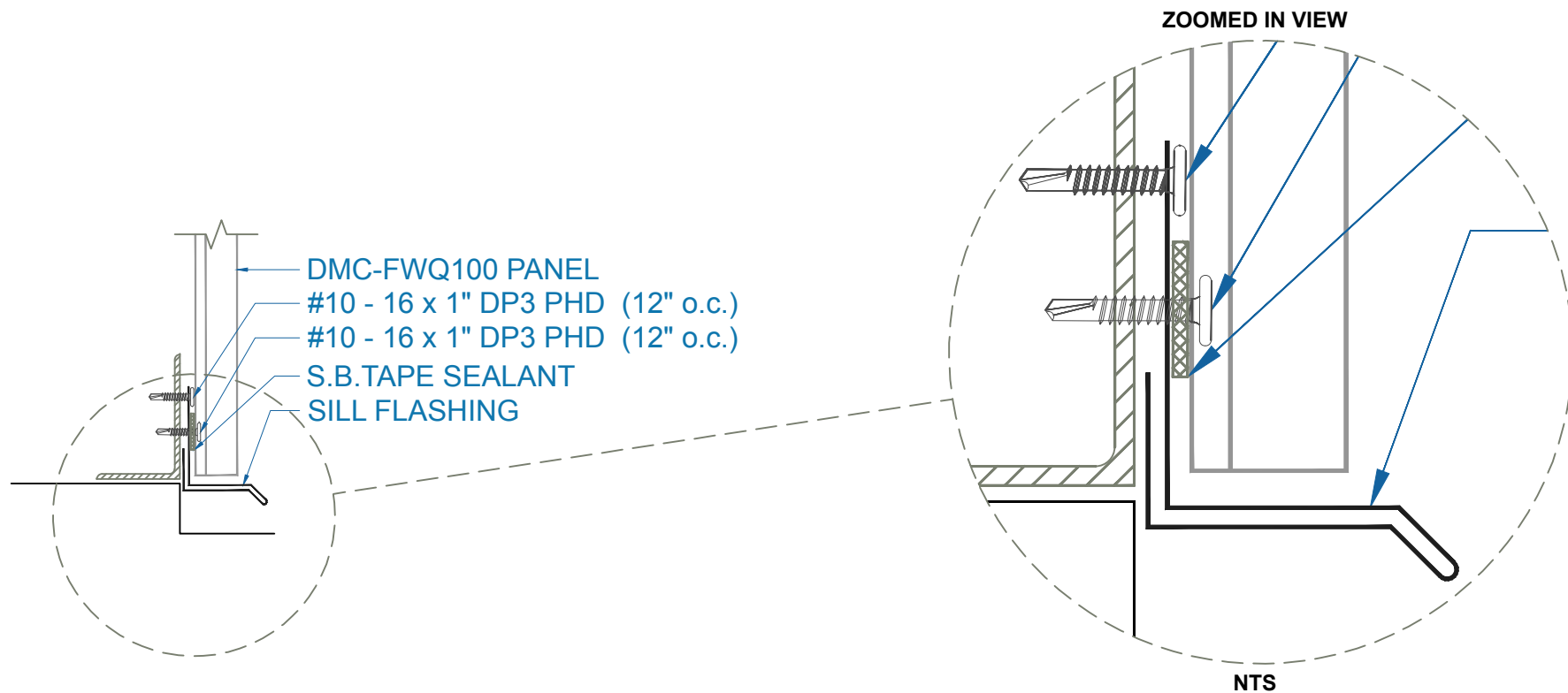
SILL TO SOFFIT

SCALE: 3" = 1'-0"

DrexelMetals
Roofing Systems + Custom Fabrication



DMC FWQ100 - OPEN FRAMING



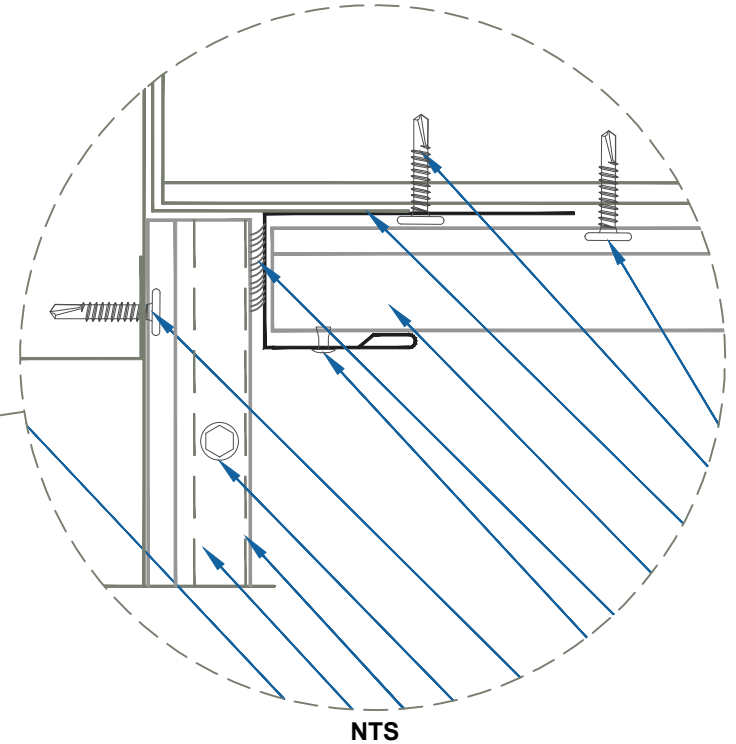
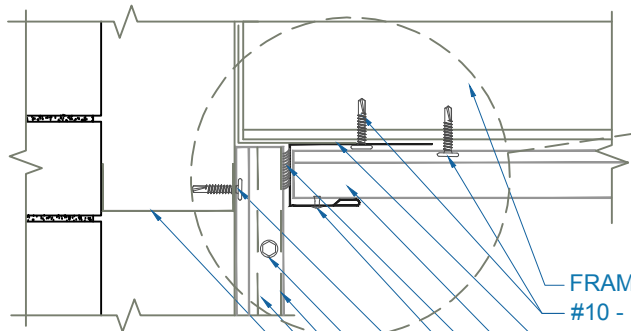
EFFECTIVE DATE: 07-1-17
SUBJECT TO CHANGE WITHOUT NOTICE

SILL
SCALE: 3" = 1'-0"



DMC FWQ100 - OPEN FRAMING

ZOOMED IN VIEW



- FRAMING MEMBER (BY OTHERS)
- #10 - 16 x 1" DP3 PHD (12" o.c.)
- JAMB FLASHING
- DMC-FWQ100 PANEL
- DREXEL APPROVED TUBE SEALANT
- 1/8" x 3/16" POP RIVET (12" o.c.)
- #10 - 16 x 1" DP3 PHD
(AT EACH FURRING)
- 1/4" - 14 x 7/8" DP1 SD DREXMET STITCH (24" o.c.)
- S.B.TAPE SEALANT
- DMC-FWQ100 PANEL
- FRAMING MEMBER (BY OTHERS)

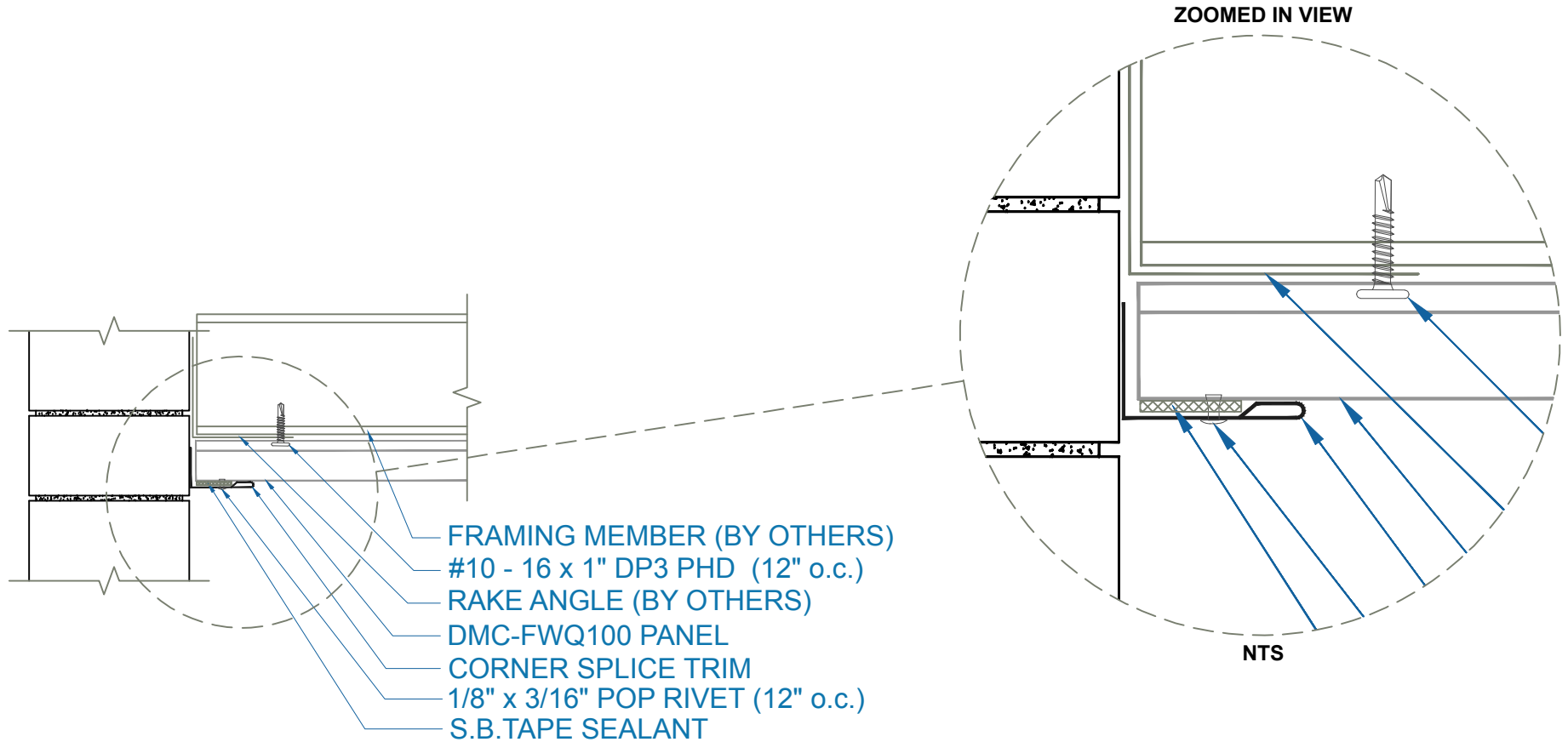
SOFFIT TO WALL PANEL

SCALE: 3" = 1'-0"

EFFECTIVE DATE: 07-1-17
SUBJECT TO CHANGE WITHOUT NOTICE



DMC FWQ100 - OPEN FRAMING



EFFECTIVE DATE: 07-1-17
SUBJECT TO CHANGE WITHOUT NOTICE

SOFFIT TO WALL

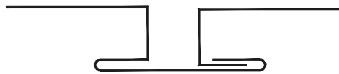
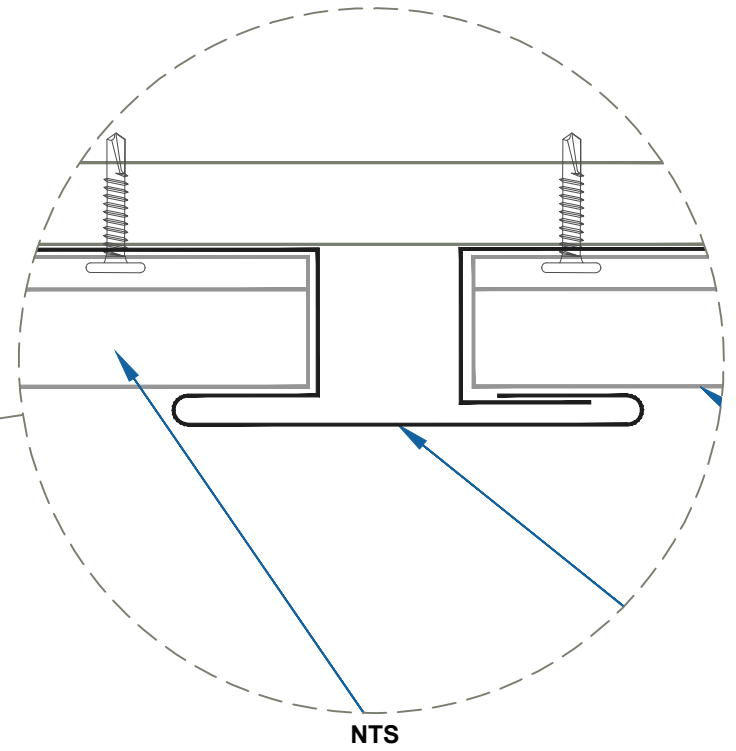
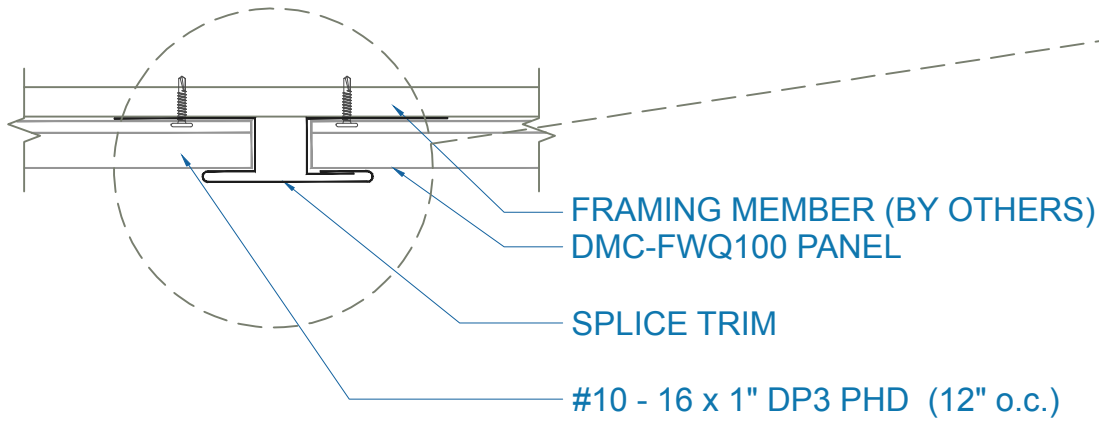
SCALE: 3" = 1'-0"

DrexelMetals
Roofing Systems + Custom Fabrication



DMC FWQ100 - OPEN FRAMING

ZOOMED IN VIEW



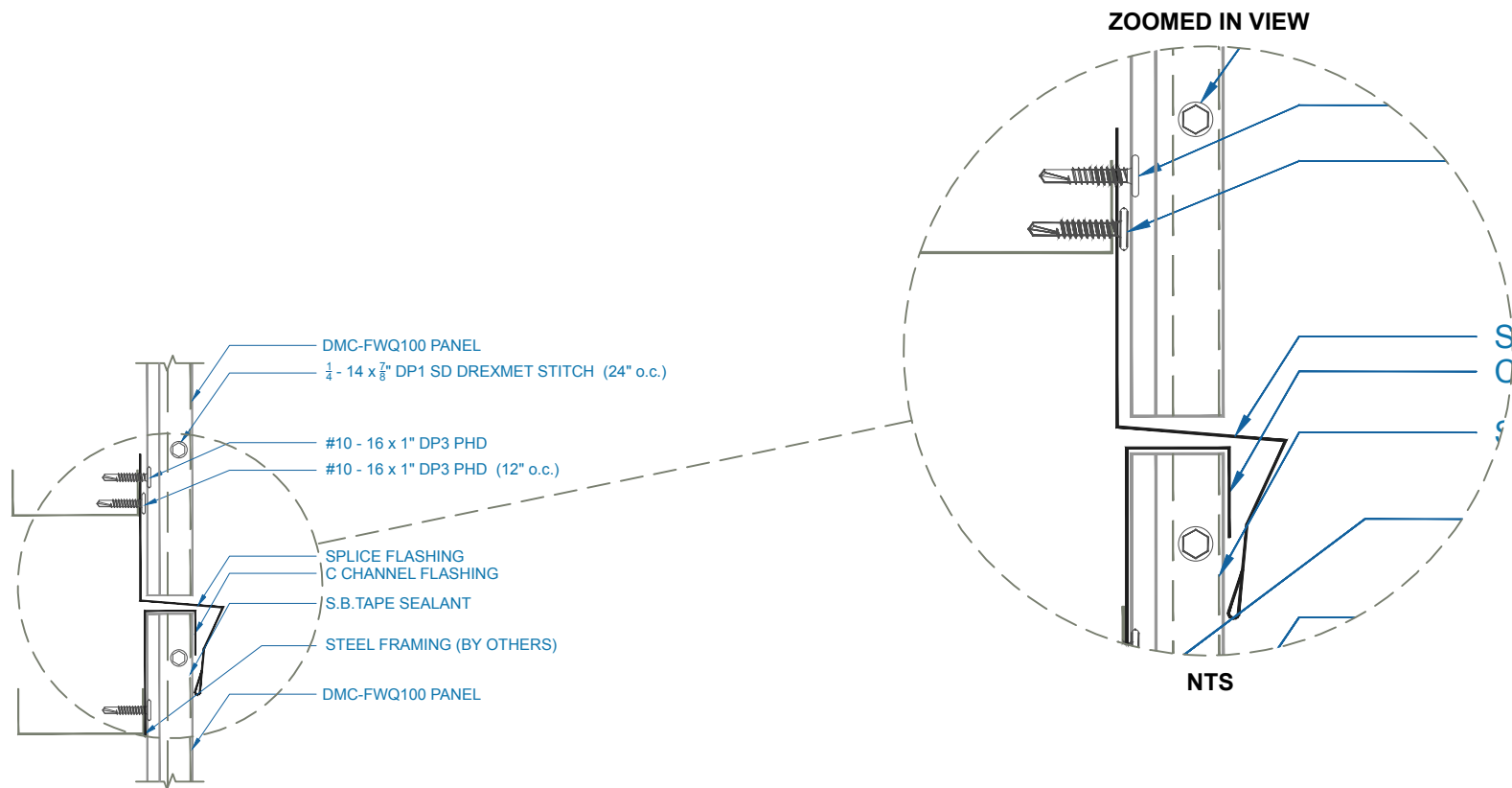
EFFECTIVE DATE: 07-1-17
SUBJECT TO CHANGE WITHOUT NOTICE

SPLICE
SCALE: 3" = 1'-0"

DrexelMetals
Roofing Systems + Custom Fabrication



DMC FWQ100 - OPEN FRAMING



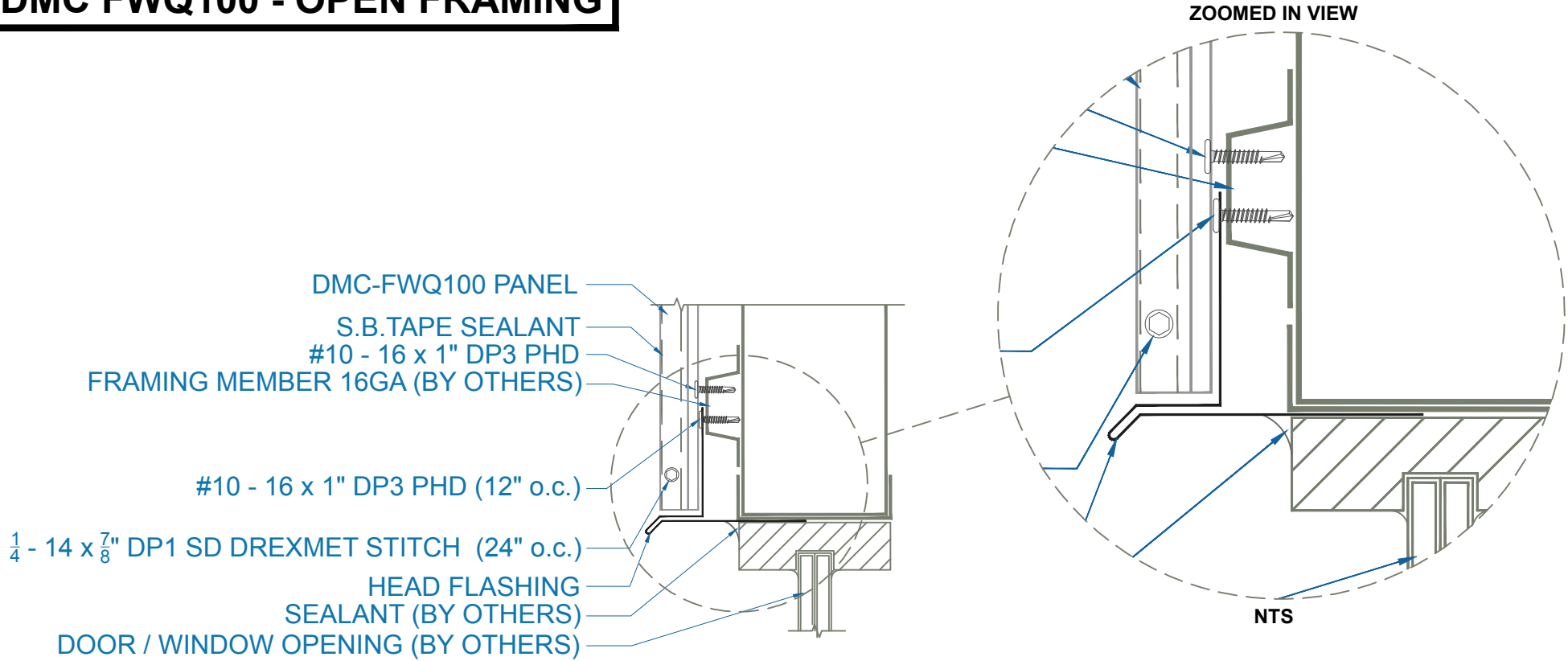
WALL PANEL SPLICE

EFFECTIVE DATE: 07-1-17
SUBJECT TO CHANGE WITHOUT NOTICE

SCALE: 3" = 1'-0"



DMC FWQ100 - OPEN FRAMING



EFFECTIVE DATE: 07-1-17
SUBJECT TO CHANGE WITHOUT NOTICE

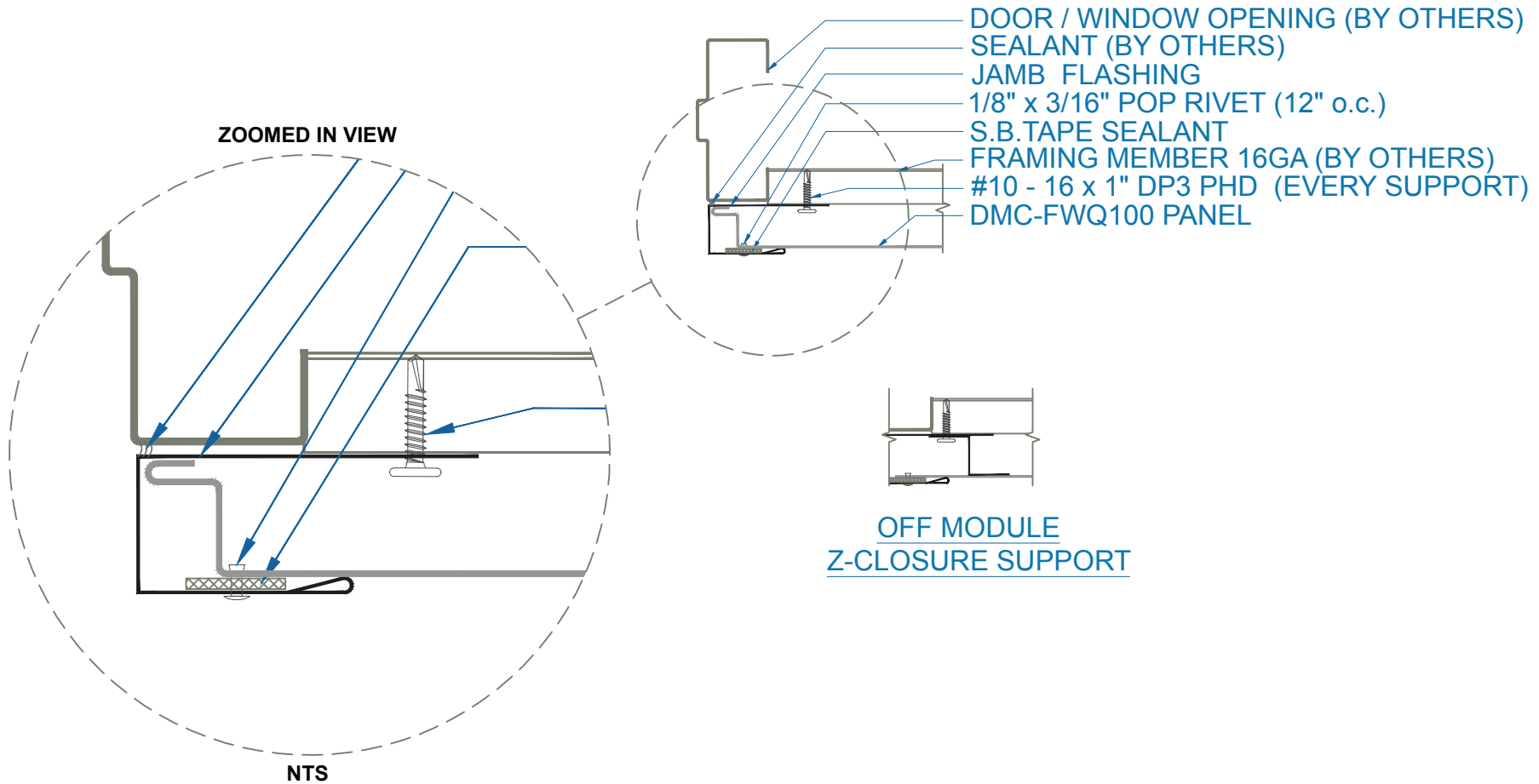
WINDOW-DOOR HEAD

SCALE: 3" = 1'-0"

DrexelMetals
Roofing Systems + Custom Fabrication



DMC FWQ100 - OPEN FRAMING



EFFECTIVE DATE: 07-1-17
SUBJECT TO CHANGE WITHOUT NOTICE

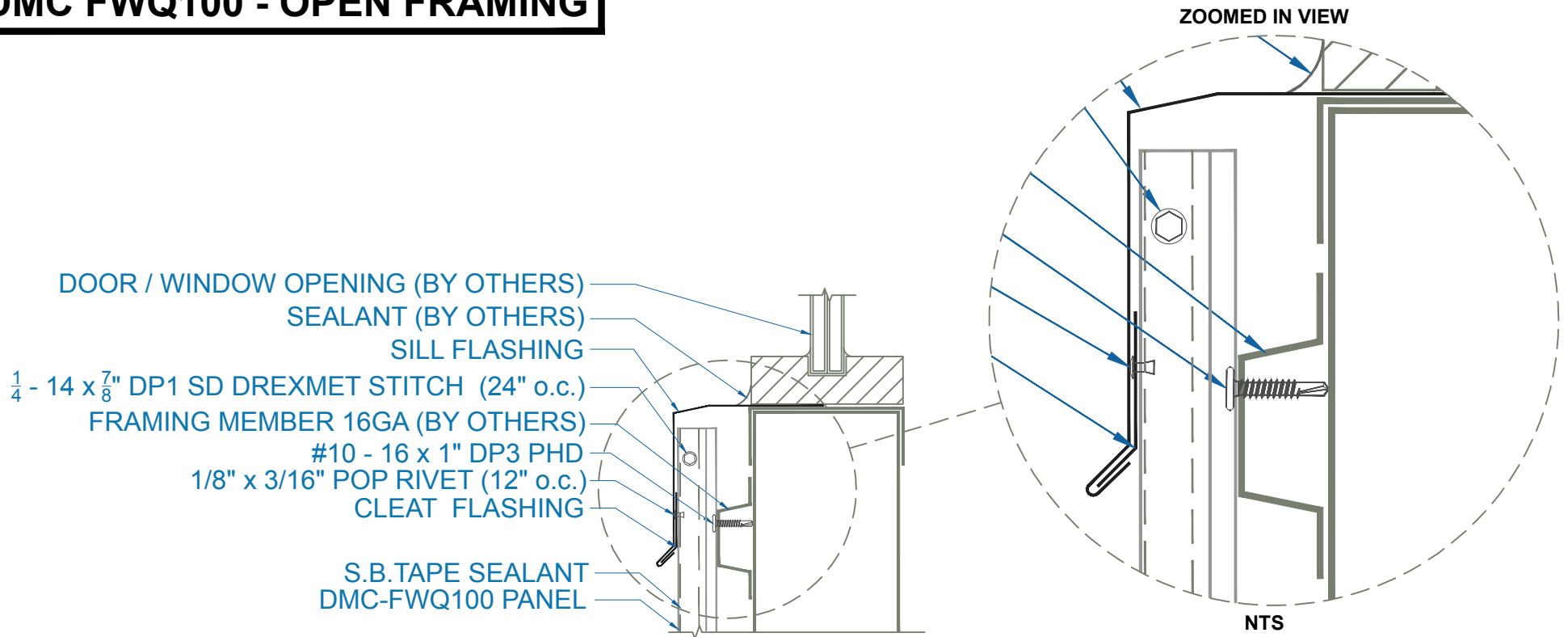
WINDOW-DOOR JAMB

SCALE: 3" = 1'-0"

DrexelMetals
Roofing Systems + Custom Fabrication



DMC FWQ100 - OPEN FRAMING



EFFECTIVE DATE: 07-1-17
SUBJECT TO CHANGE WITHOUT NOTICE

WINDOW-DOOR SILL

SCALE: 3" = 1'-0"

DrexelMetals
Roofing Systems + Custom Fabrication

