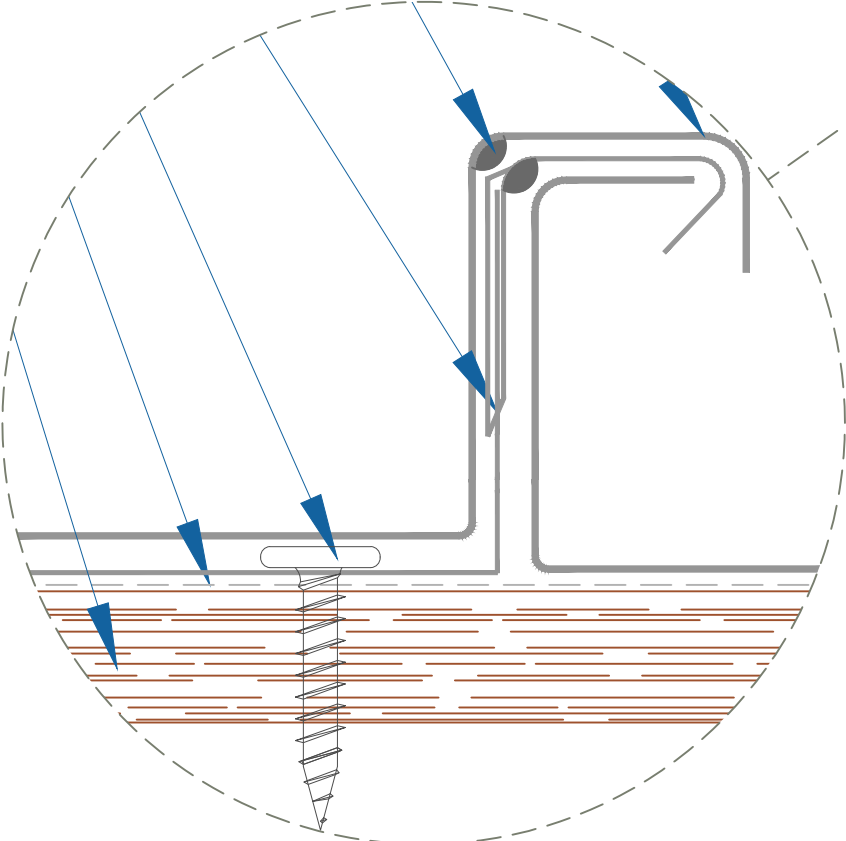


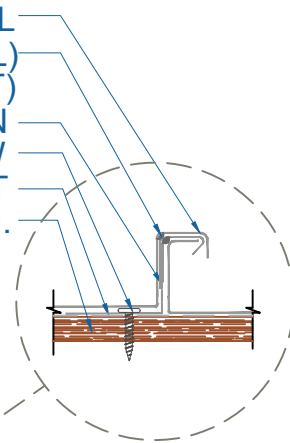
DMC 150SS - SOLID SUBSTRATE

- DMC 150SS PANEL
- DREXEL APPROVED SEALANT (OPTIONAL)
(FIELD OR MACHINE APPLIED SEALANT)
- * DREXEL APPROVED CLIP OPTION
- (2) #10 - 13 x 1" PHW
- DREXEL APPROVED UNDERLAYMENT
- 1/2" PLYWOOD MIN.

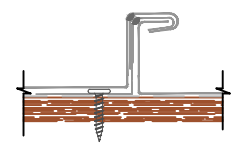
ZOOMED IN VIEW



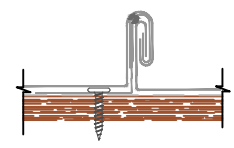
NTS



CROSS SECTION
BEFORE SEAMING



CROSS SECTION
90° SEAMING



CROSS SECTION
180° SEAMING

- * DMC 150SS CLIP OPTIONS - BUTTERFLY
- 2" FIXED
- 6" FIXED

SEAMER TOOL RENTAL
 QUALITY ROOF SEAMERS
 8265 HIGHWAY 178
 OLIVE BRANCH, MS 38654
 PH:(662)895-1222
 FAX:(662)890-4775
 RENT@QUALITYROOFSEAMERS.COM

EFFECTIVE DATE: 10-06-22
 SUBJECT TO CHANGE WITHOUT NOTICE

INSTALLATION DETAIL

SCALE: 3" = 1'-0"

Drexel Metals
 Roofing Systems + Custom Fabrication
 A CARLISLE COMPANY