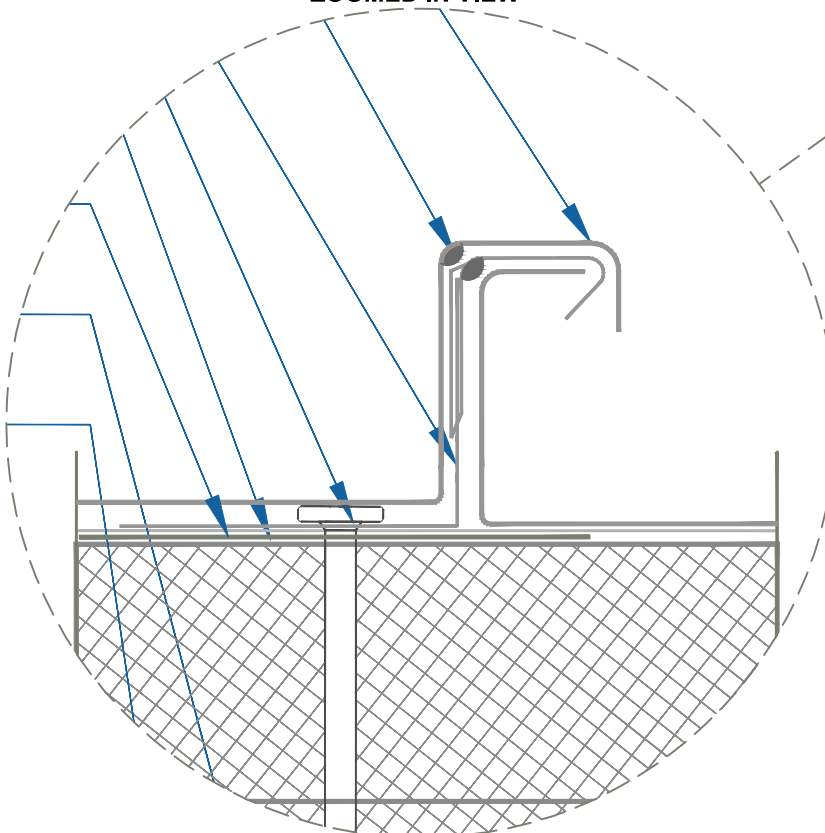


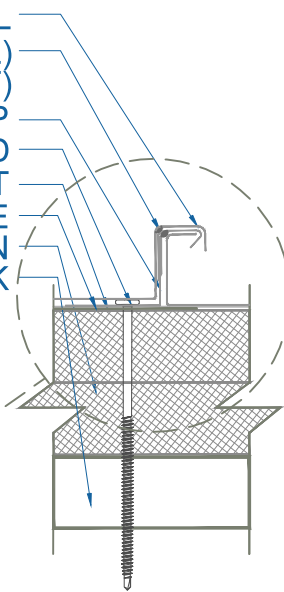
# DMC 150SS - ISO w/ METAL DECK

- DMC 150SS PANEL
- DREXEL APPROVED SEALANT (OPTIONAL)  
(FIELD OR MACHINE APPLIED SEALANT)
- DMC 150SS BUTTERFLY CLIP
- (2) #14 - 13 x ?" PHDD
- METSHIELD UNDERLAYMENT
- 3x3 - 18GA BEARING PLATE
- ISO INSULATION
- METAL DECK

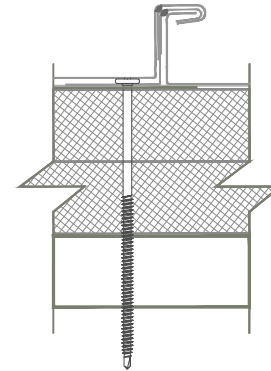
ZOOMED IN VIEW



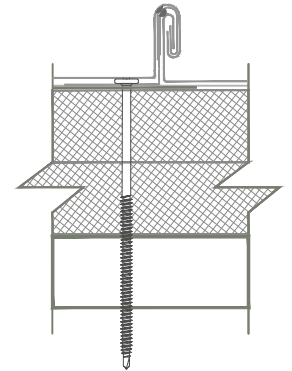
NTS



CROSS SECTION  
BEFORE SEAMING



CROSS SECTION  
90° SEAMING



CROSS SECTION  
180° SEAMING

SEAMER TOOL RENTAL  
SEAMER TOOLS, INC.  
8265 HIGHWAY 178  
OLIVE BRANCH, MS 38654  
PH:(662)895-1222  
FAX:(662)890-4775  
RENT@SEAMERTOOLS.COM

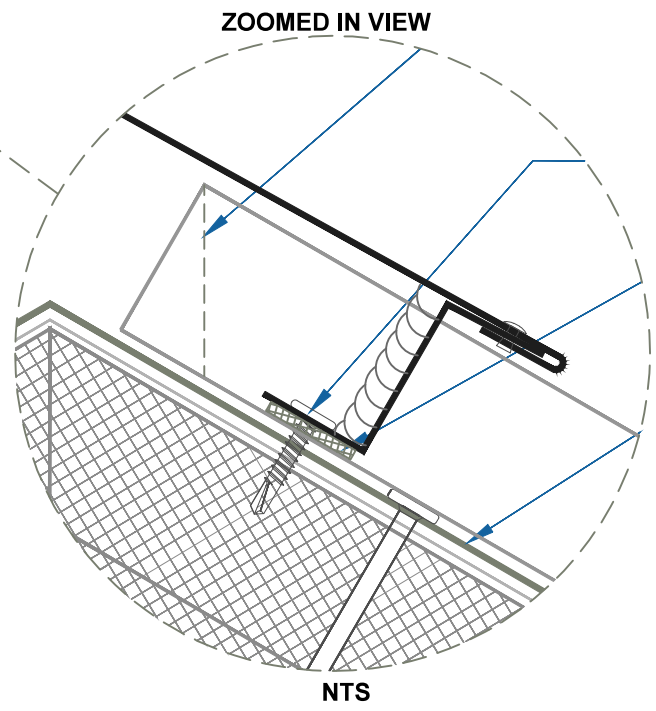
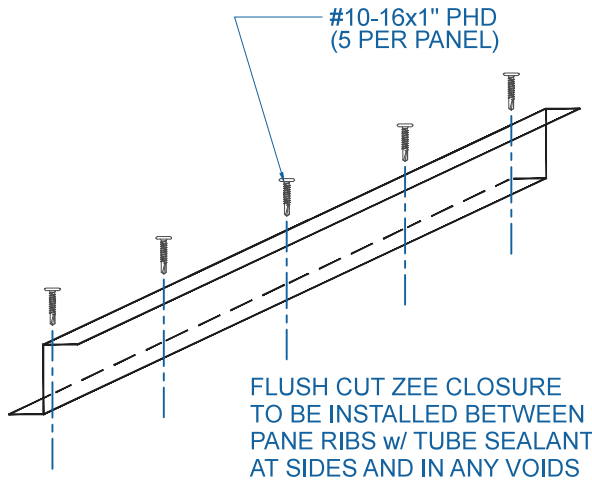
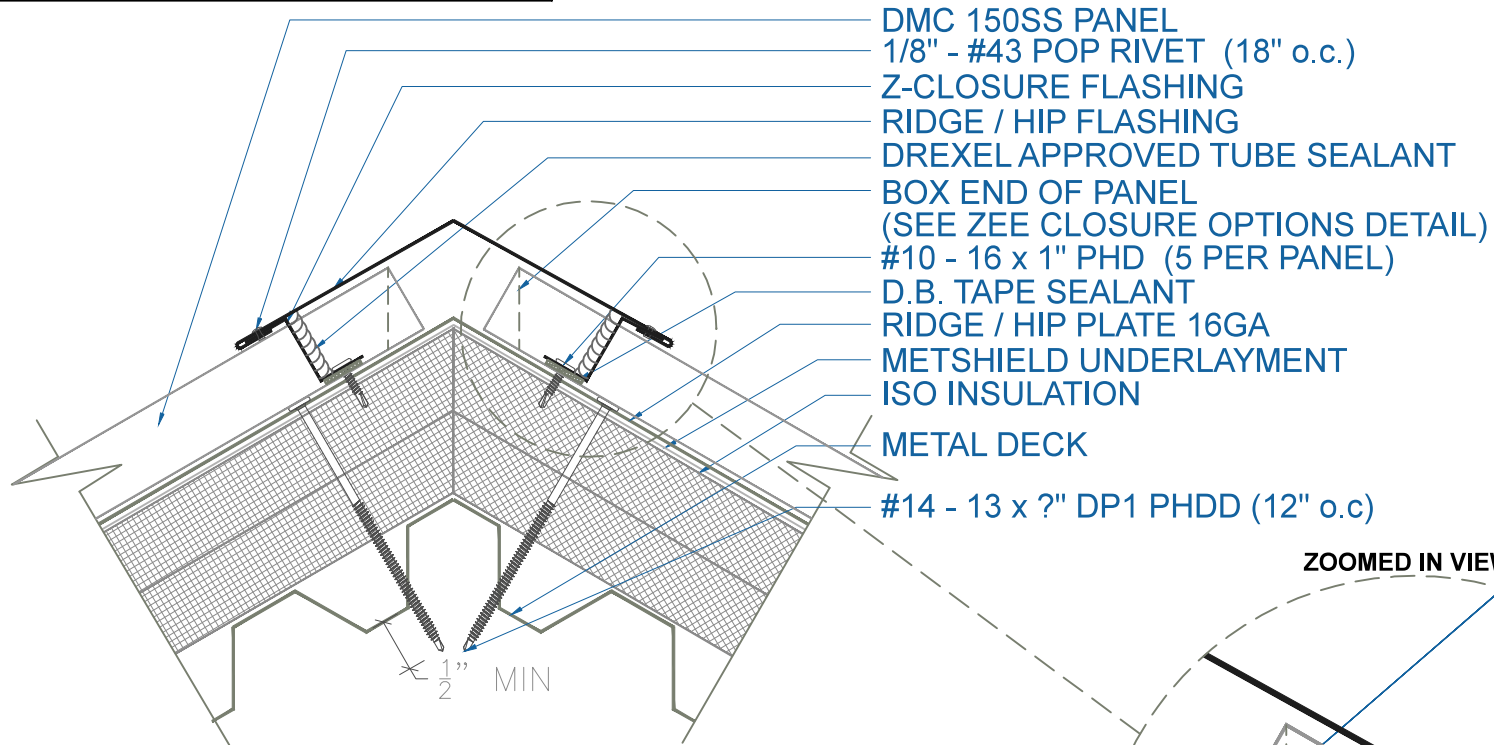
## INSTALLATION DETAIL

SCALE: 3" = 1'-0"



EFFECTIVE DATE: 05-30-2013  
SUBJECT TO CHANGE WITHOUT NOTICE

# DMC 150SS - ISO / METAL DECK

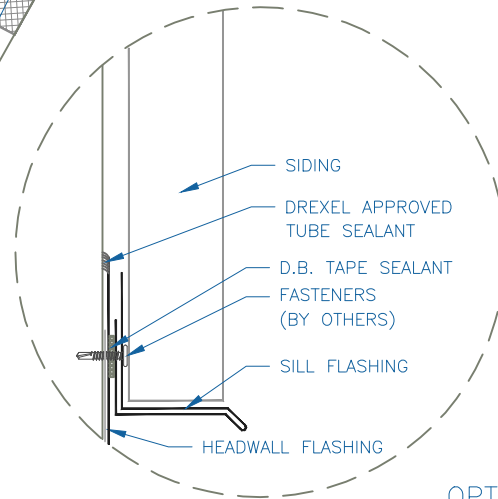
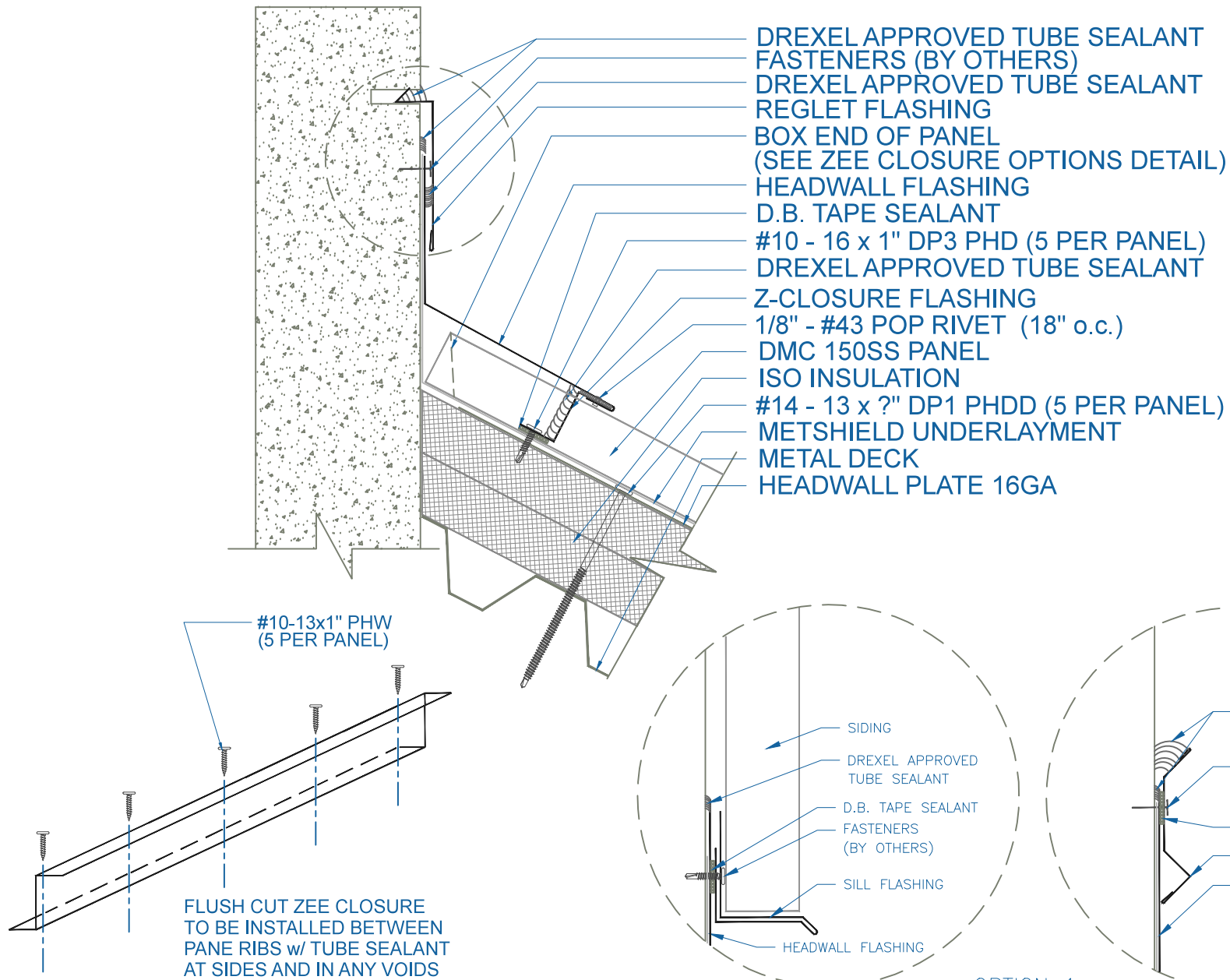


EFFECTIVE DATE: 05-30-2013  
 SUBJECT TO CHANGE WITHOUT NOTICE

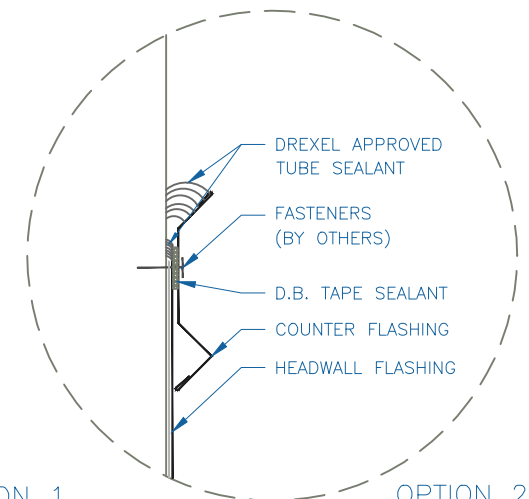
**RIDGE / HIP**  
 SCALE: 3" = 1'-0"



# DMC 150SS - ISO w/ METAL DECK



OPTION 1



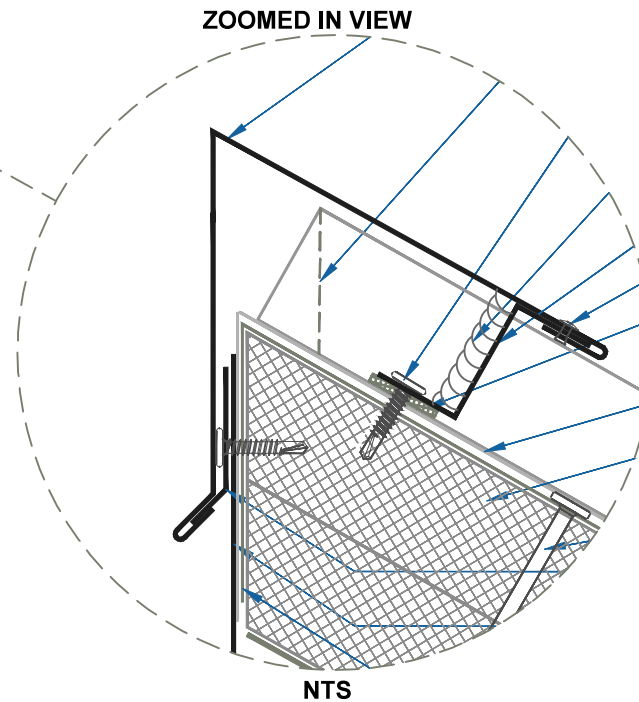
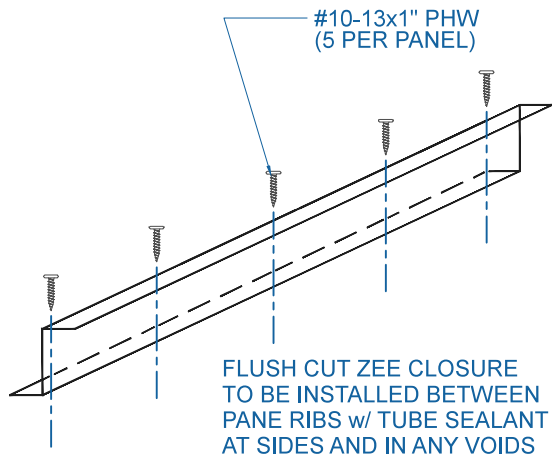
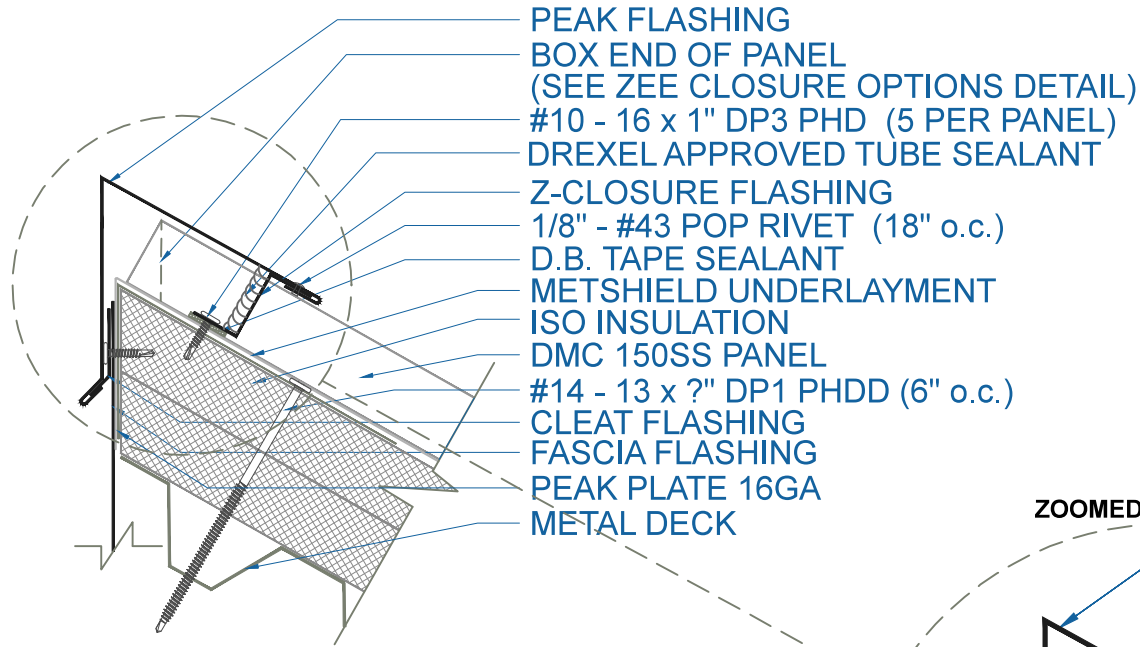
OPTION 2

EFFECTIVE DATE: 06-04-2013  
 SUBJECT TO CHANGE WITHOUT NOTICE

## HEADWALL

SCALE: 3" = 1'-0"

# DMC 150SS - ISO w/ METAL DECK



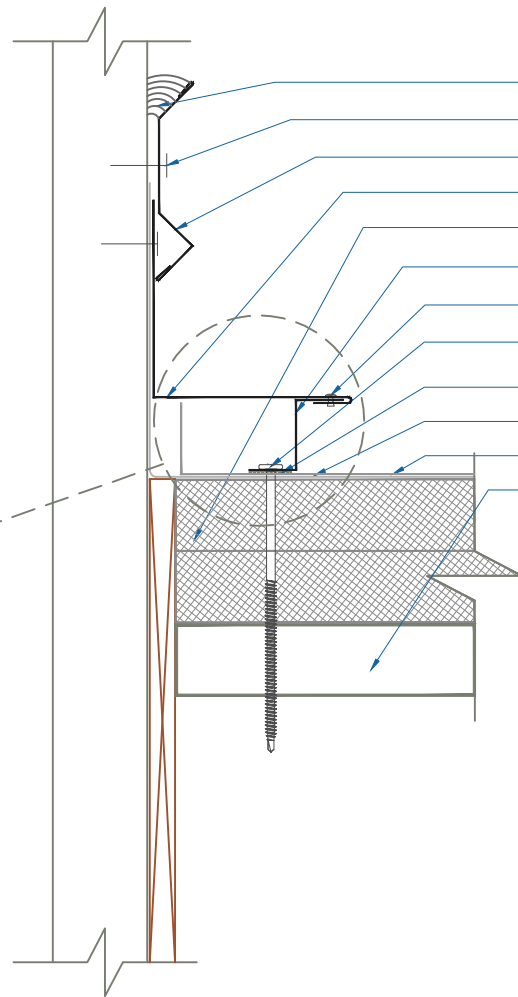
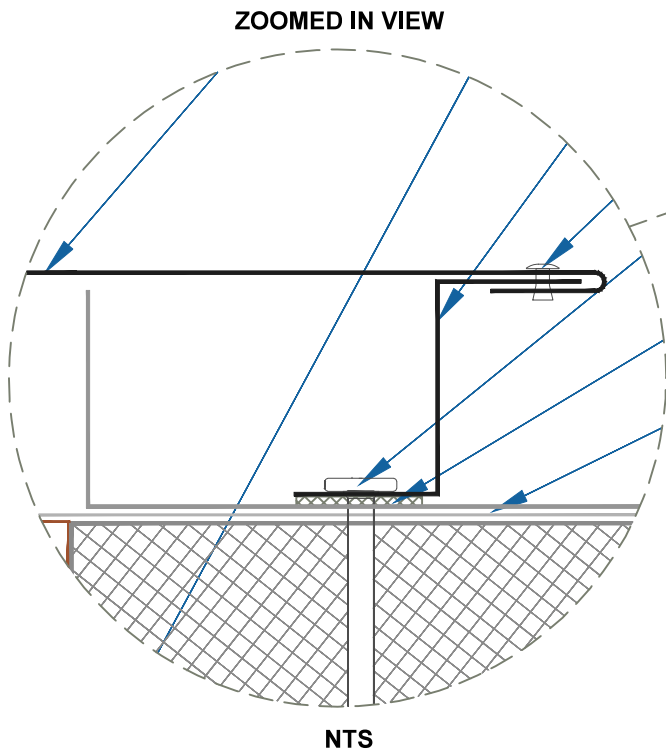
EFFECTIVE DATE: 05-28-2013  
 SUBJECT TO CHANGE WITHOUT NOTICE

**PEAK**  
 SCALE: 3" = 1'-0"

**DrexelMetals**  
 Roofing Systems + Custom Fabrication

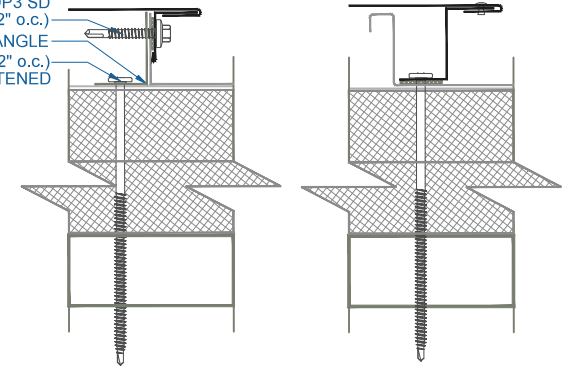


# DMC 150SS - ISO w/ METAL DECK



- DREXEL APPROVED TUBE SEALANT
- FASTENERS (BY OTHERS)
- COUNTER FLASHING
- RAKEWALL FLASHING
- ISO INSULATION
- Z-CLOSURE FLASHING
- 1/8" - #43 POP RIVET (18" o.c.)
- #14 - 13 x ?" PHDD (12" o.c.)
- D.B. TAPE SEALANT
- METSHIELD UNDERLAYMENT
- DMC 150SS PANEL (FIELD CUT AND BEND)
- METAL DECK

- #12 - 14 x 1 1/2" DP3 SD  
DREXMET HEAD (12" o.c.)
- FLOATING RAKE ANGLE
- #14 - 13 x ?" PHDD (12" o.c.)  
NOT TO BE TIGHTENED



FLOATING RAKEWALL

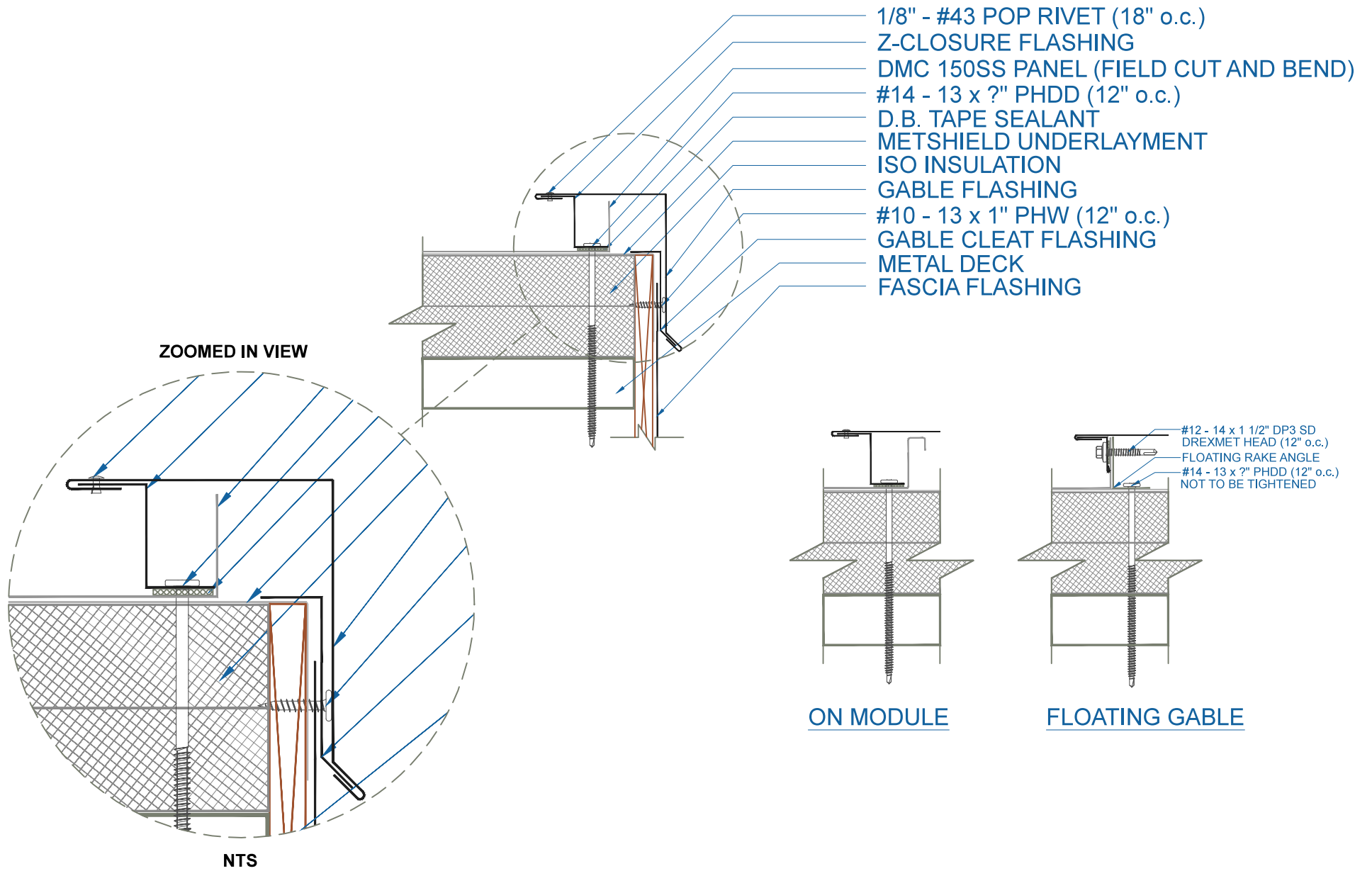
ON MODULE

EFFECTIVE DATE: 06-04-2013  
SUBJECT TO CHANGE WITHOUT NOTICE

**RAKEWALL**  
SCALE: 3" = 1'-0"



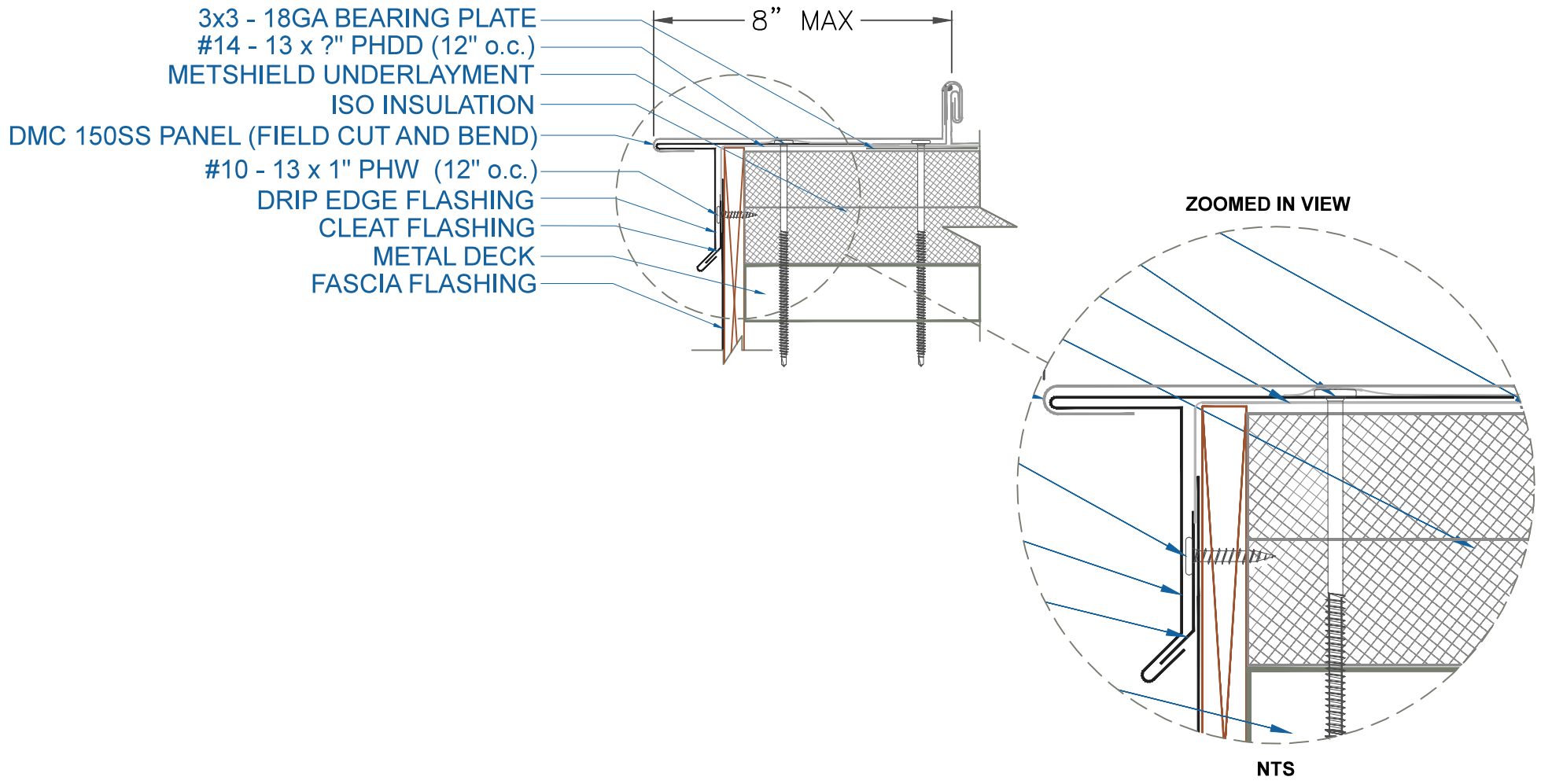
# DMC 150SS - ISO w/ METAL DECK



EFFECTIVE DATE: 05-30-2013  
 SUBJECT TO CHANGE WITHOUT NOTICE

**GABLE**  
 SCALE: 3" = 1'-0"

# DMC 150SS - ISO w/ METAL DECK



## GABLE ALTERNATE / CURVED

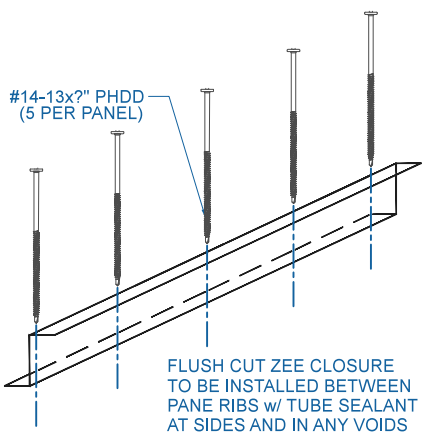
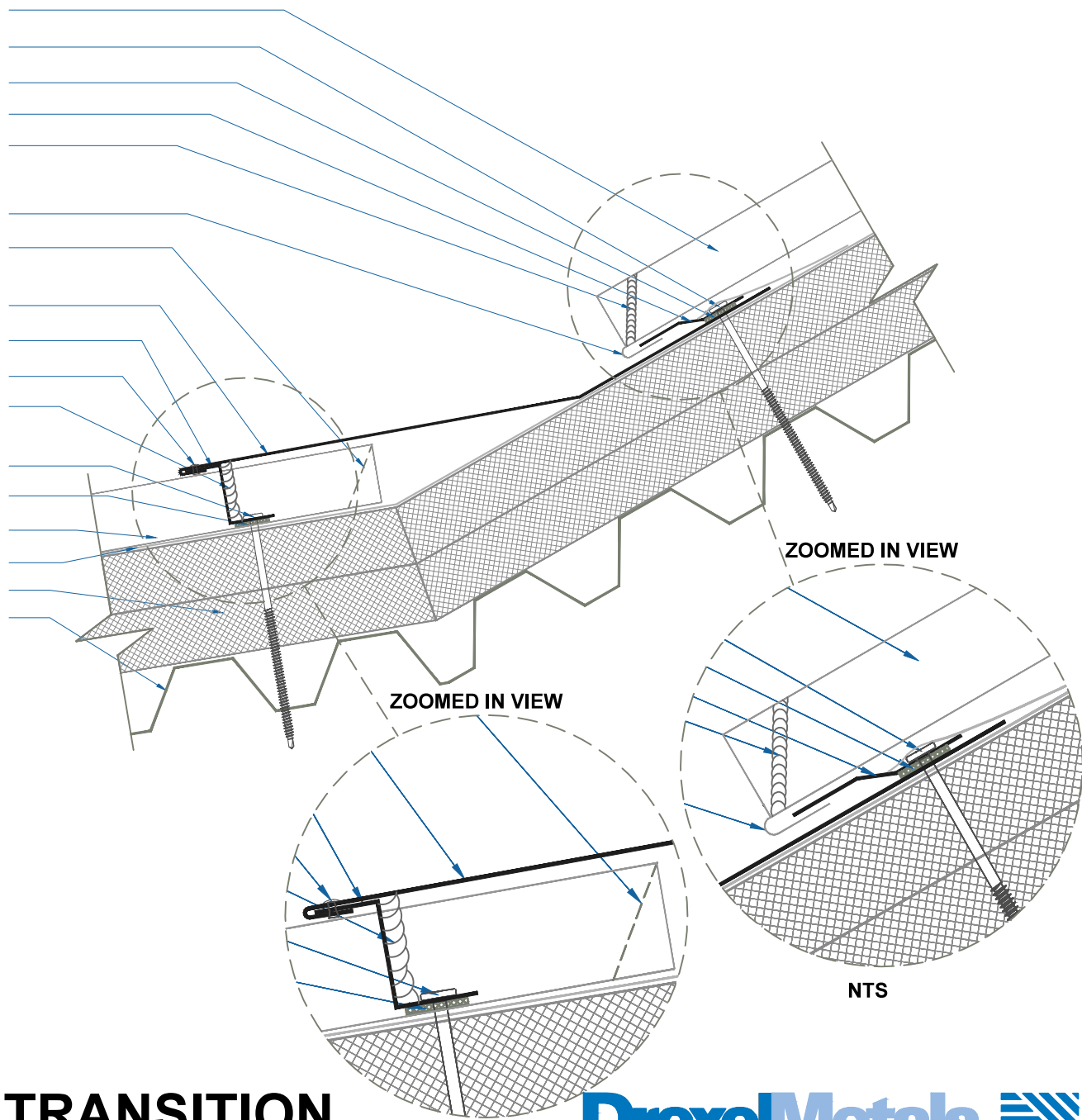
EFFECTIVE DATE: 05-30-2013  
SUBJECT TO CHANGE WITHOUT NOTICE

SCALE: 3" = 1'-0"



# DMC 150SS - ISO w/ METAL DECK

- DMC 150SS PANEL
- #14 - 13 x ?" PHDD (12" o.c.)
- D.B. TAPE SEALANT
- OFFSET CLEAT FLASHING
- DREXEL APPROVED TUBE SEALANT (FIELD APPLIED BETWEEN PANEL RIBS)
- FIELD CUT & HEM PANEL 180°
- BOX END OF PANEL (SEE ZEE CLOSURE OPTIONS DETAIL)
- TRANSITION FLASHING
- Z-CLOSURE
- 1/8" - #43 POP RIVET (18" o.c.)
- DREXEL APPROVED TUBE SEALANT (FIELD APPLIED BETWEEN PANEL RIBS)
- #14 - 13 x ?" PHDD (5 PER PANEL)
- D.B. TAPE SEALANT
- DMC 150SS PANEL
- METSHIELD UNDERLAYMENT
- ISO INSULATION
- METAL DECK



## TRANSITION

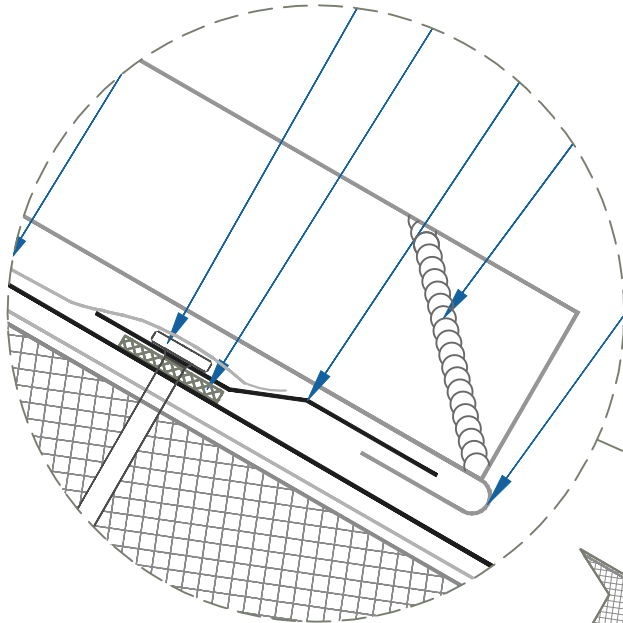
SCALE: 3" = 1'-0"

EFFECTIVE DATE: 05-30-2013  
SUBJECT TO CHANGE WITHOUT NOTICE

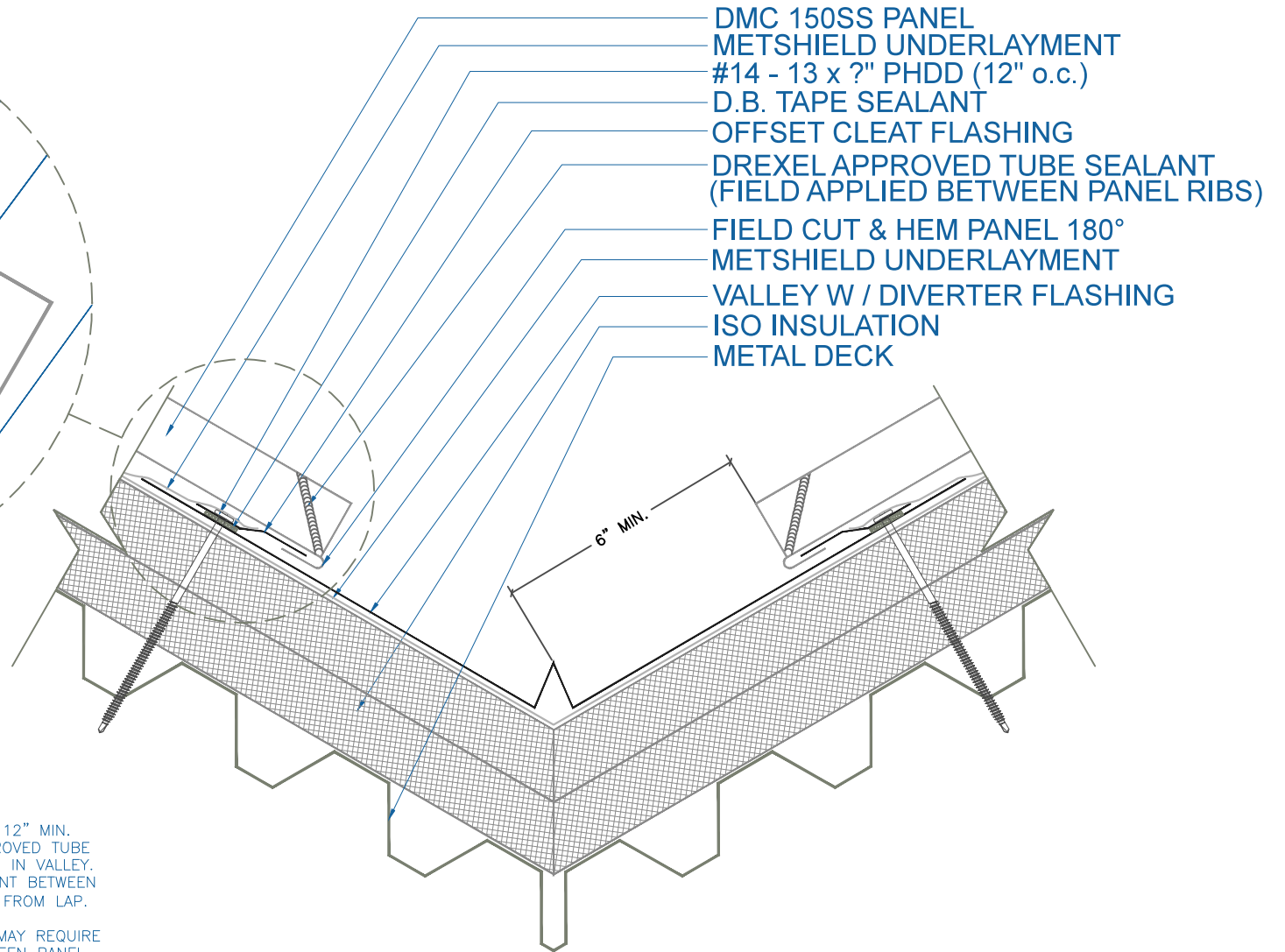


# DMC 150SS - ISO w/ METAL DECK

ZOOMED IN VIEW



NTS



**NOTE:**

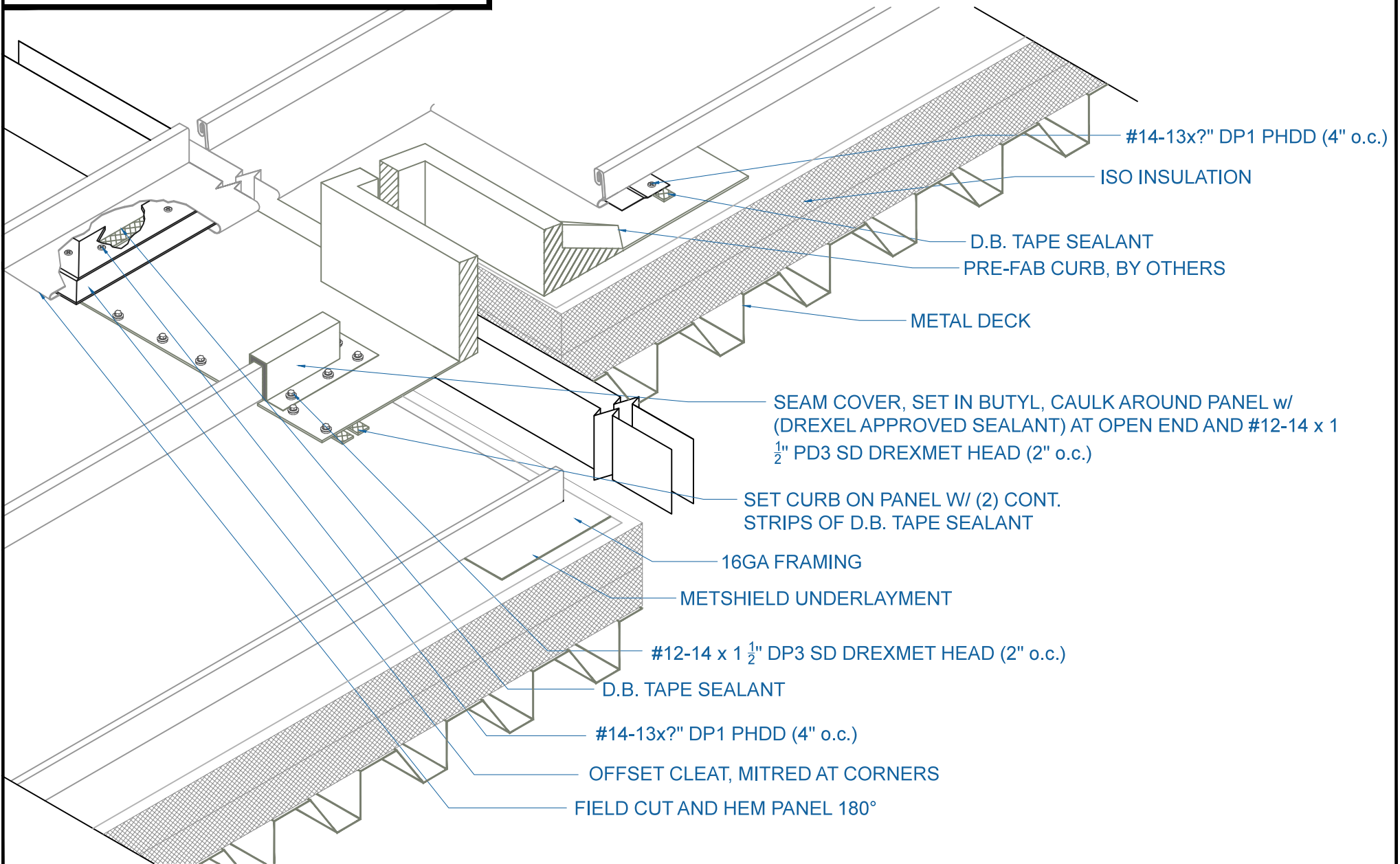
- 1.) LAPS IN VALLEY ARE 12" MIN. DREXEL METALS APPROVED TUBE SEALANT IN ALL LAPS IN VALLEY. TWO ROWS OF SEALANT BETWEEN VALLEY LAPS, 4" UP FROM LAP.
- 2.) LARGE ROOF AREAS MAY REQUIRE A LARGER GAP BETWEEN PANEL AND DIVERTER TO ALLOW FOR STORM WATER RUN OFF.

## VALLEY W / DIVERTER

SCALE: 3" = 1'-0"

EFFECTIVE DATE: 05-28-2013  
SUBJECT TO CHANGE WITHOUT NOTICE

# DMC 150SS - ISO w/ METAL DECK

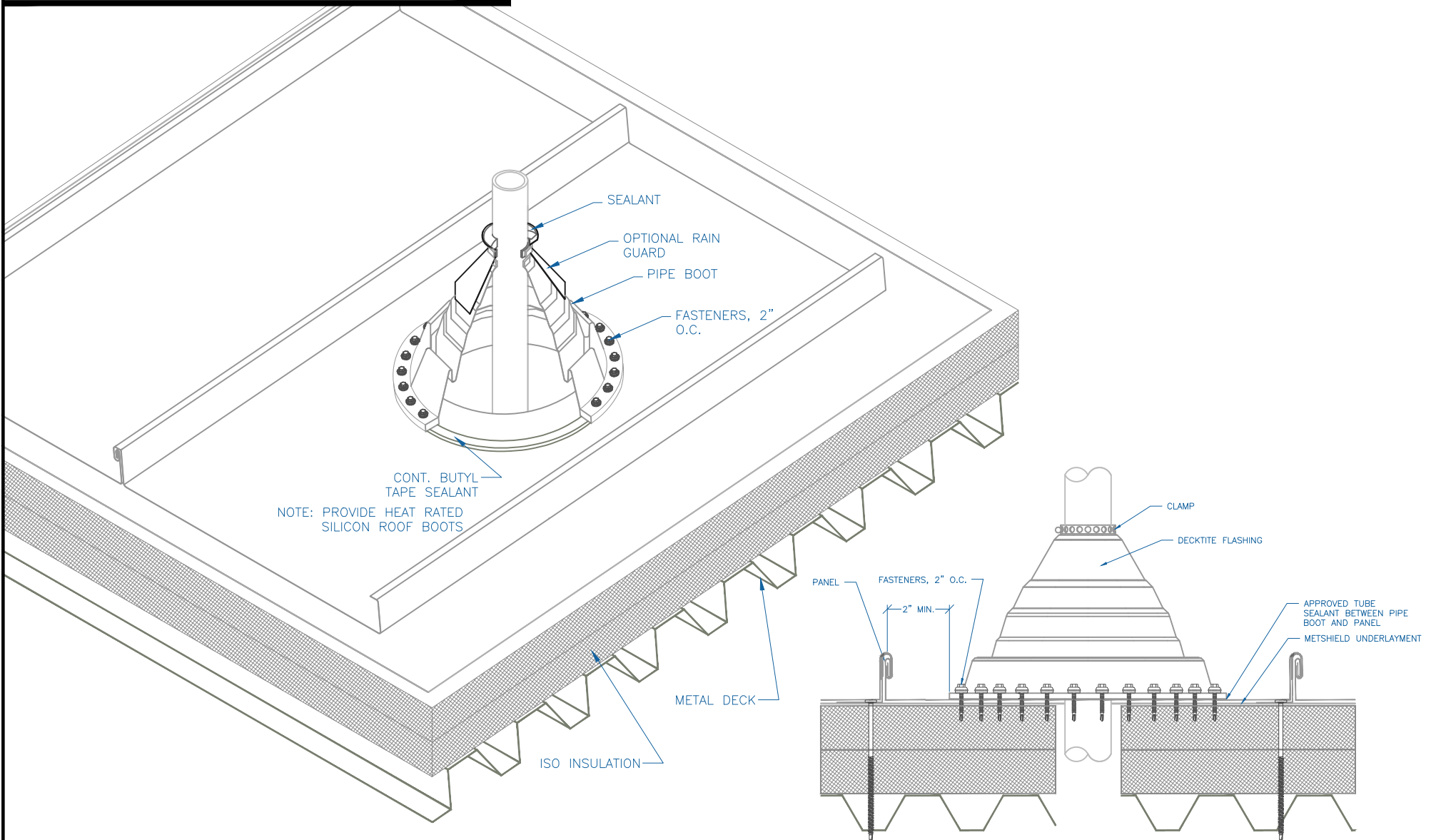


EFFECTIVE DATE: 06-04-2013  
SUBJECT TO CHANGE WITHOUT NOTICE

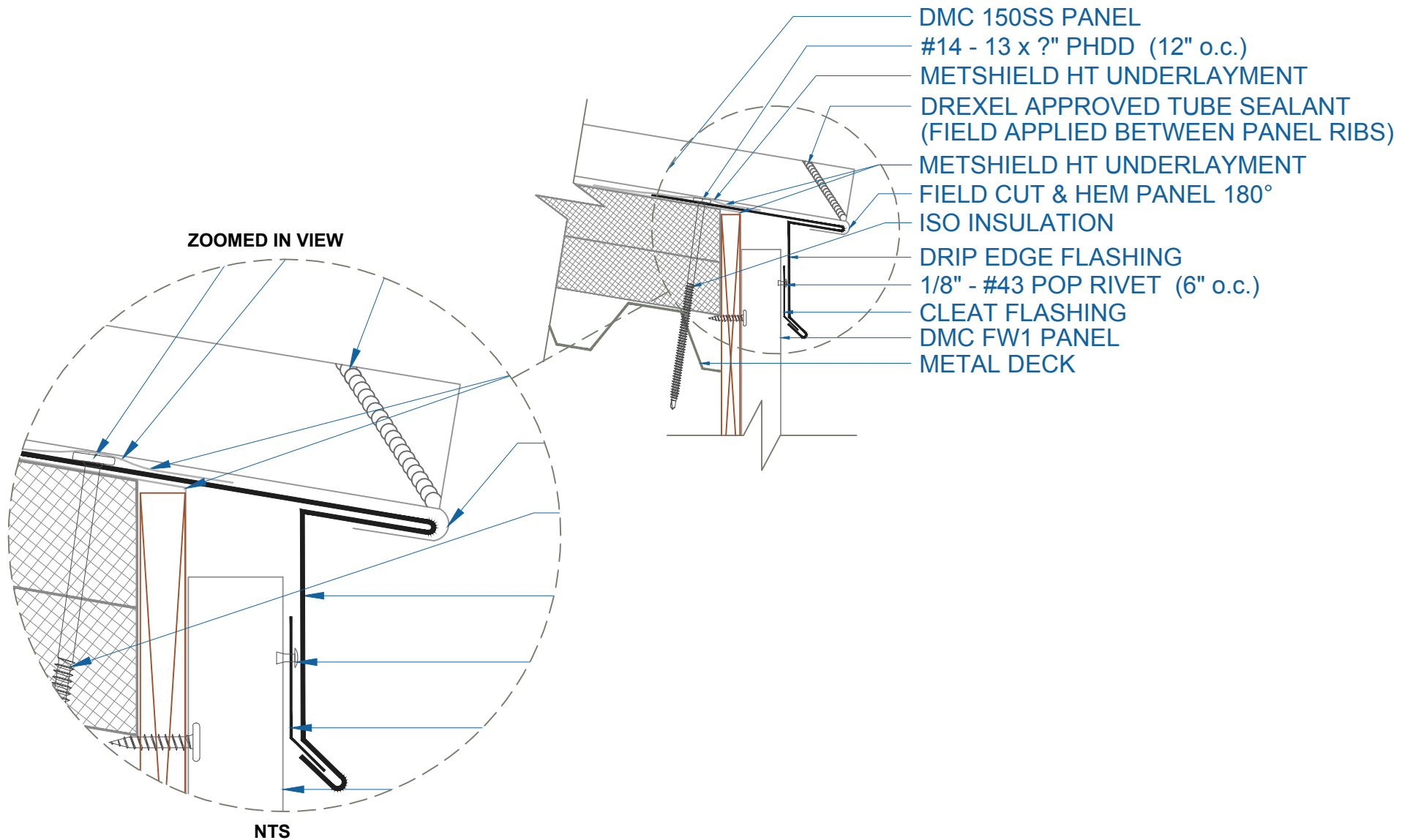
## CURB DETAIL

SCALE: NTS

# DMC 150SS - ISO w/ METAL DECK



# DMC 150SS - ISO w/ METAL DECK

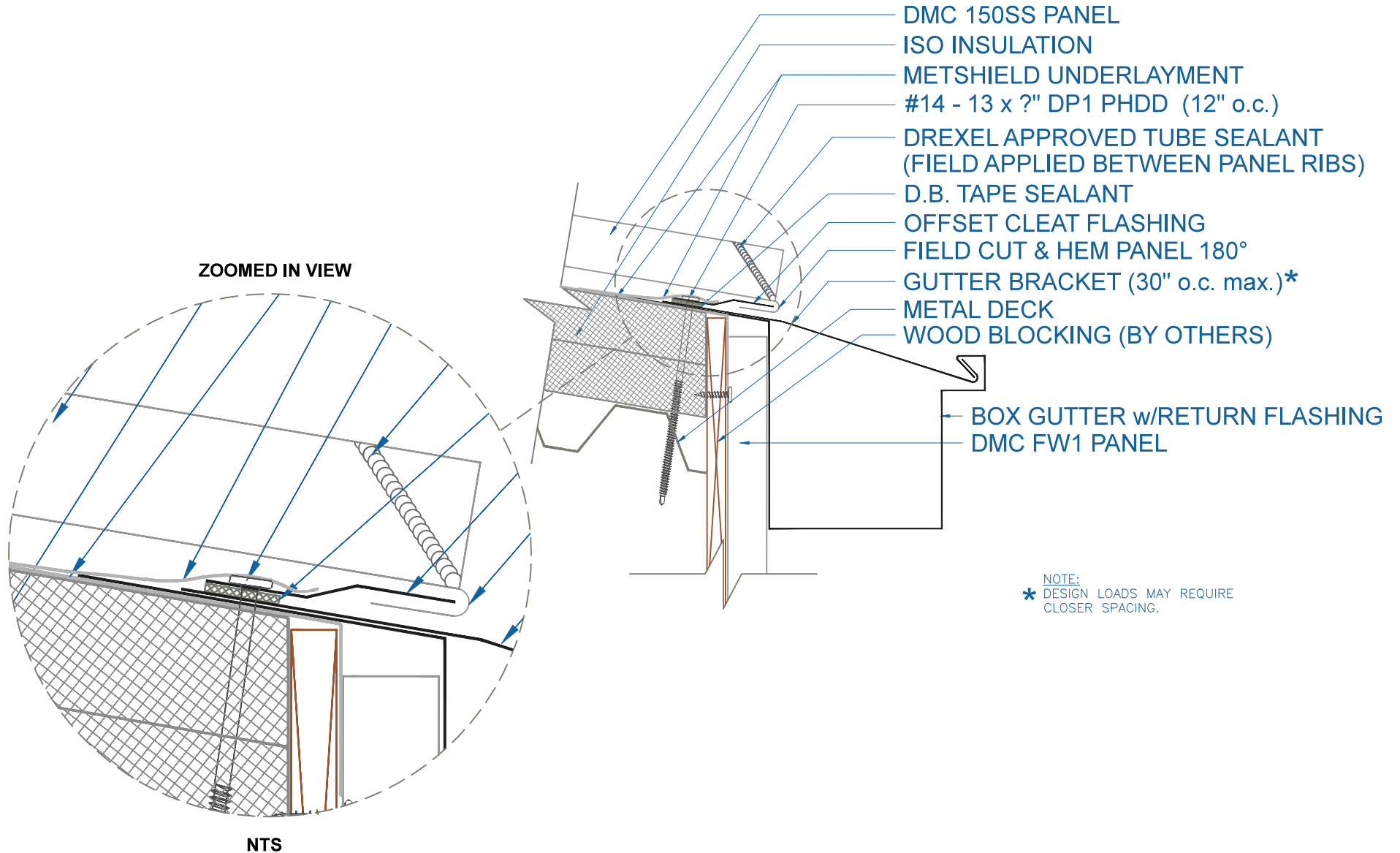


## DRIP EDGE w/ FLUSH PANEL

SCALE: 3" = 1'-0"

EFFECTIVE DATE: 08-07-17  
SUBJECT TO CHANGE WITHOUT NOTICE

# DMC 150SS - ISO w/ METAL DECK



## **BOX GUTTER - w/RETURN w/FLUSH PANEL**

EFFECTIVE DATE: 05-24-2013  
SUBJECT TO CHANGE WITHOUT NOTICE

SCALE: 3" = 1'-0"