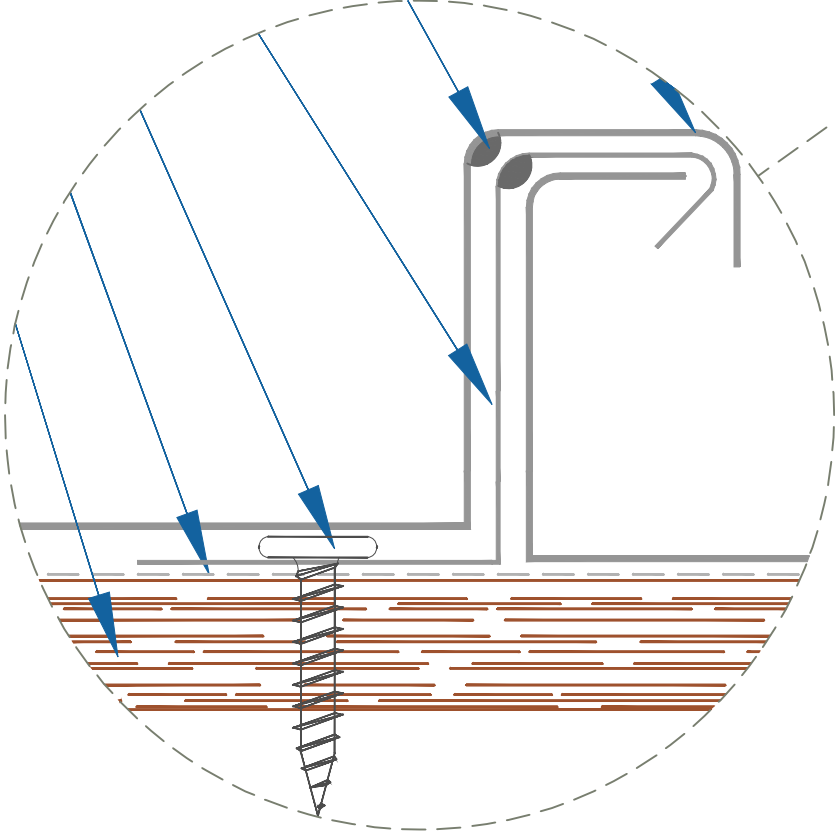


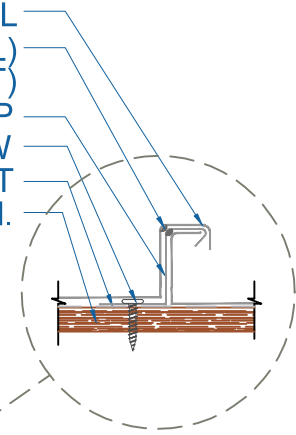
DMC 100SS - SOLID SUBSTRATE

- DMC 100SS PANEL
- DREXEL APPROVED SEALANT (OPTIONAL)
(FIELD OR MACHINE APPLIED SEALANT)
- DMC 100SS FIXED CLIP
- (2) #10 - 13 x 1" PHW
- METSHIELD UNDERLAYMENT
- 1/2" PLYWOOD MIN.

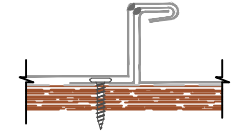
ZOOMED IN VIEW



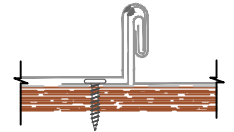
NTS



CROSS SECTION
BEFORE SEAMING



CROSS SECTION
90° SEAMING



CROSS SECTION
180° SEAMING

SEAMER TOOL RENTAL
SEAMER TOOLS, INC.
8265 HIGHWAY 178
OLIVE BRANCH, MS 38654
PH:(662)895-1222
FAX:(662)890-4775
RENT@SEAMERTOOLS.COM

EFFECTIVE DATE: 01-18-13
SUBJECT TO CHANGE WITHOUT NOTICE

INSTALLATION DETAIL

SCALE: 3" = 1'-0"

