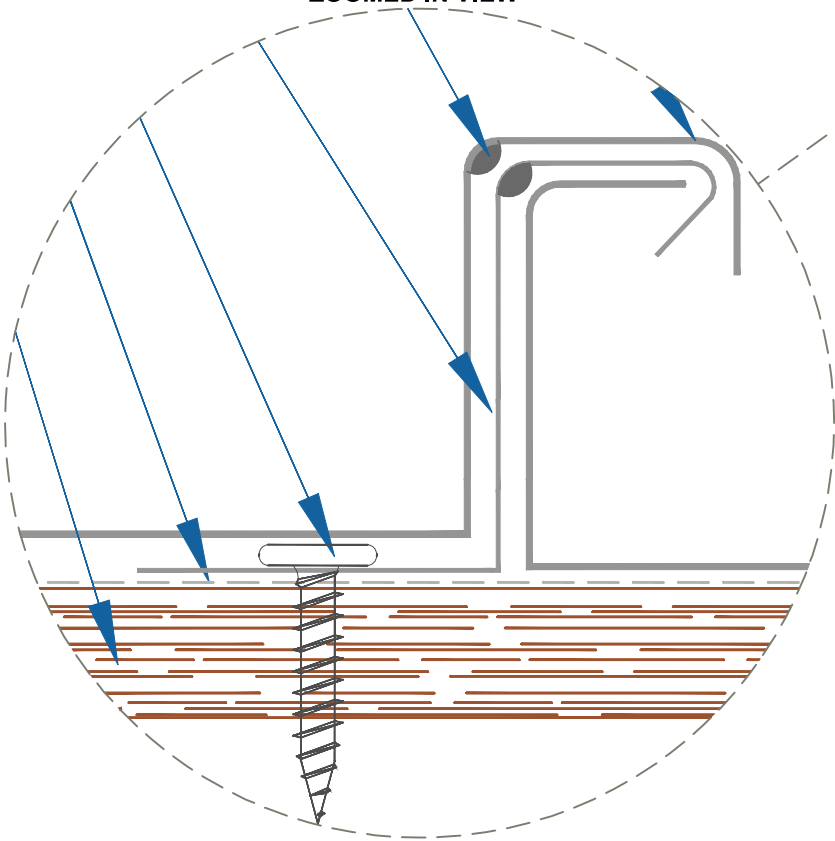


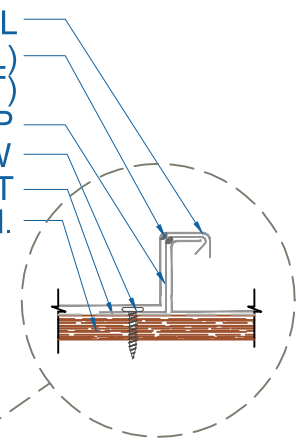
# DMC 100SS - SOLID SUBSTRATE

- DMC 100SS PANEL
- DREXEL APPROVED SEALANT (OPTIONAL)  
(FIELD OR MACHINE APPLIED SEALANT)
- DMC 100SS FIXED CLIP
- (2) #10 - 13 x 1" PHW
- METSHIELD UNDERLAYMENT
- 1/2" PLYWOOD MIN.

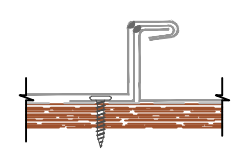
ZOOMED IN VIEW



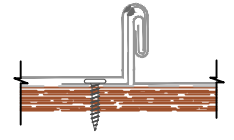
NTS



CROSS SECTION  
BEFORE SEAMING



CROSS SECTION  
90° SEAMING



CROSS SECTION  
180° SEAMING

SEAMER TOOL RENTAL  
SEAMER TOOLS, INC.  
8265 HIGHWAY 178  
OLIVE BRANCH, MS 38654  
PH:(662)895-1222  
FAX:(662)890-4775  
RENT@SEAMERTOOLS.COM

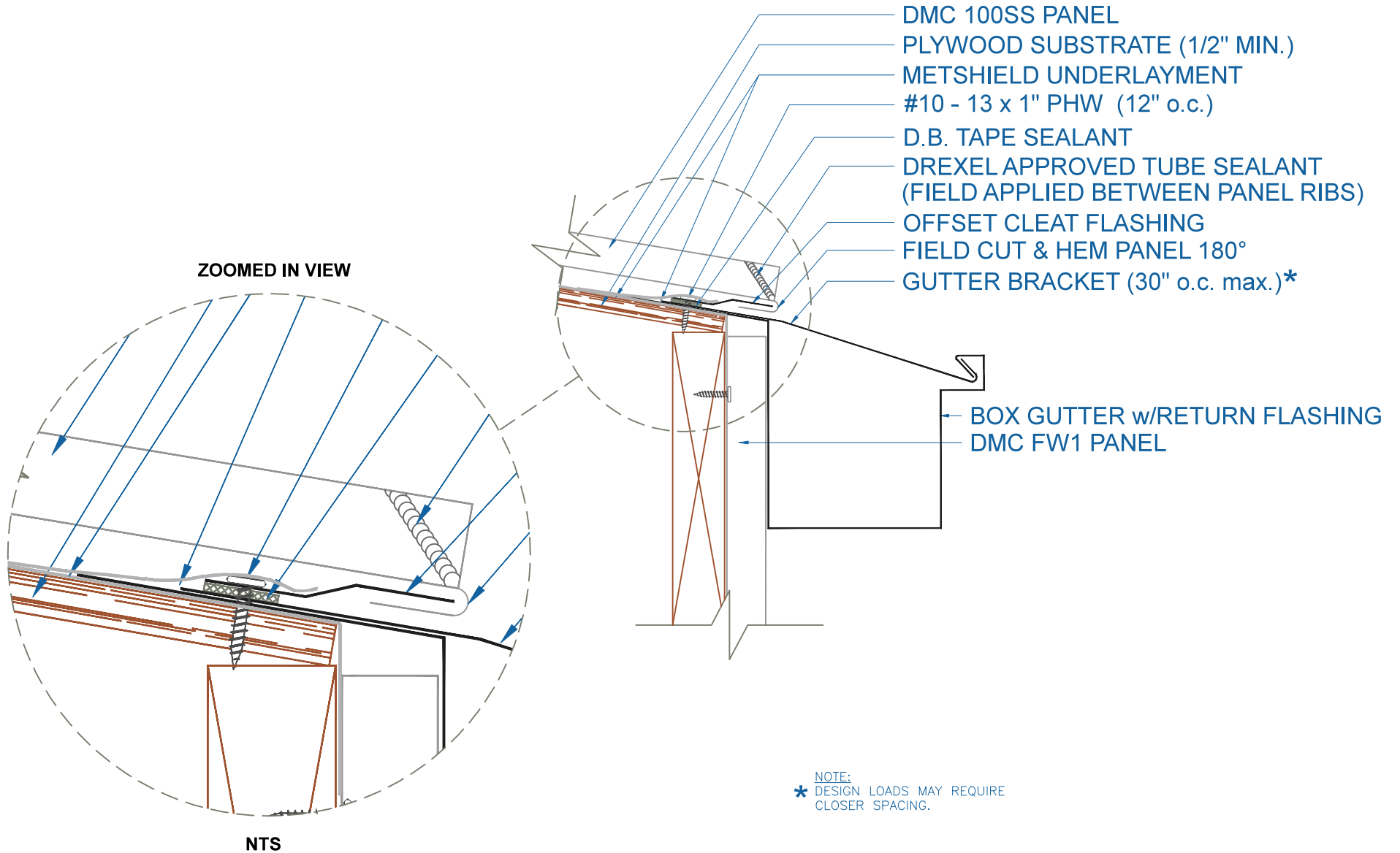
EFFECTIVE DATE: 01-18-13  
SUBJECT TO CHANGE WITHOUT NOTICE

## INSTALLATION DETAIL

SCALE: 3" = 1'-0"



# DMC 100SS - PLYWOOD

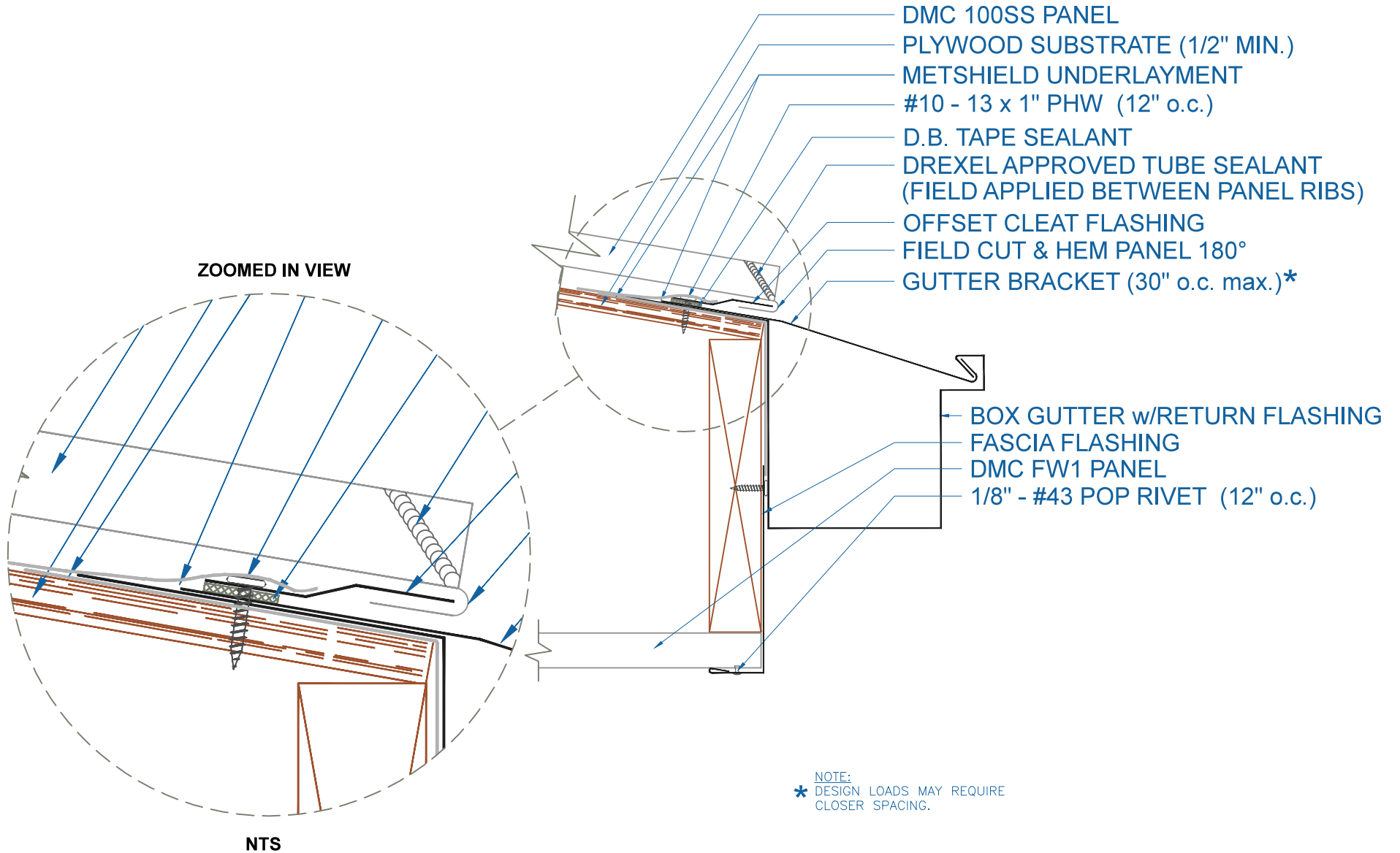


## BOX GUTTER - w/RETURN w/FLUSH PANEL

EFFECTIVE DATE: 01-18-2013  
SUBJECT TO CHANGE WITHOUT NOTICE

SCALE: 3" = 1'-0"

# DMC 100SS - PLYWOOD

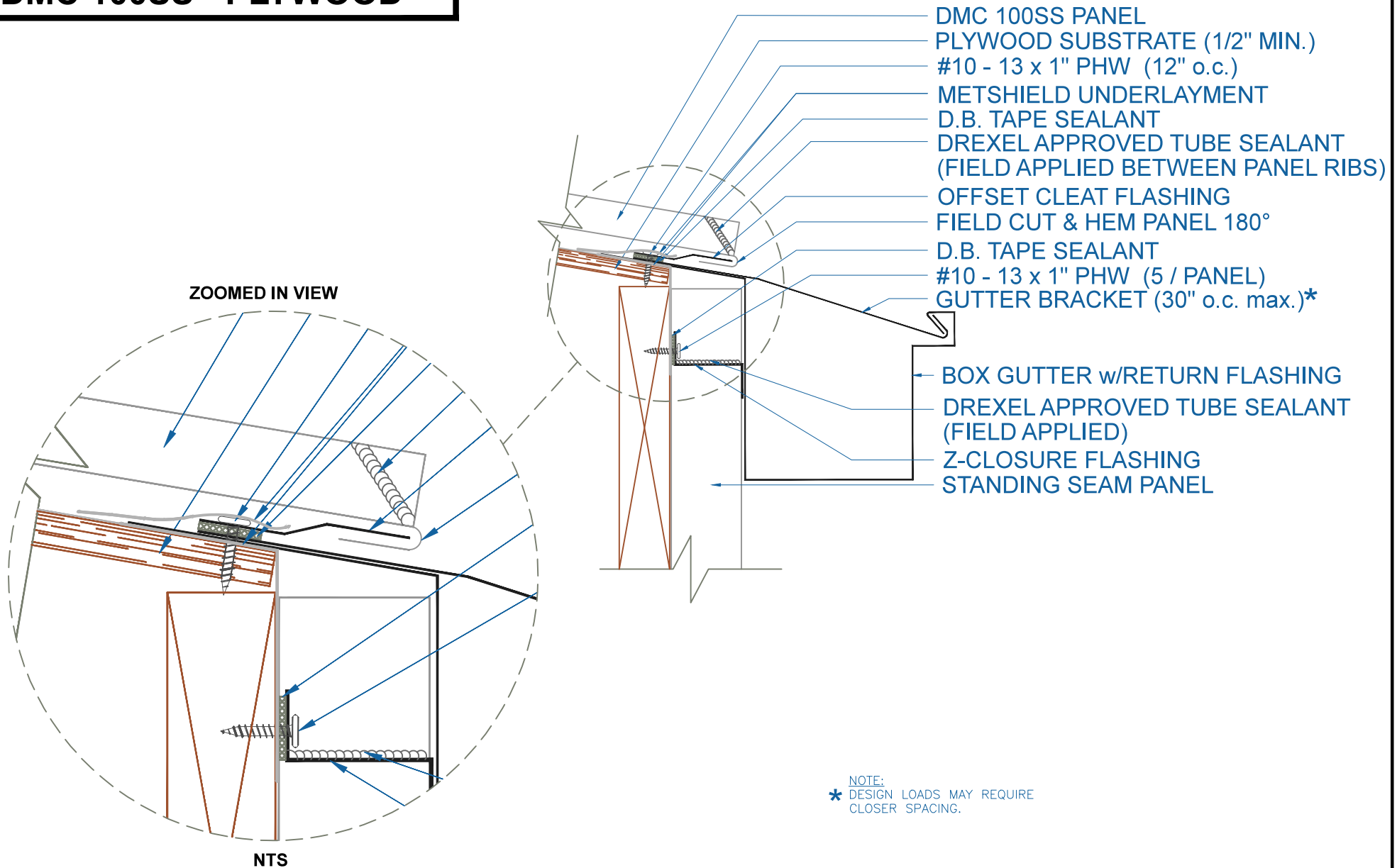


## **BOX GUTTER - w/RETURN w/SOFFIT**

SCALE: 3" = 1'-0"

EFFECTIVE DATE: 01-18-13  
SUBJECT TO CHANGE WITHOUT NOTICE

# DMC 100SS - PLYWOOD

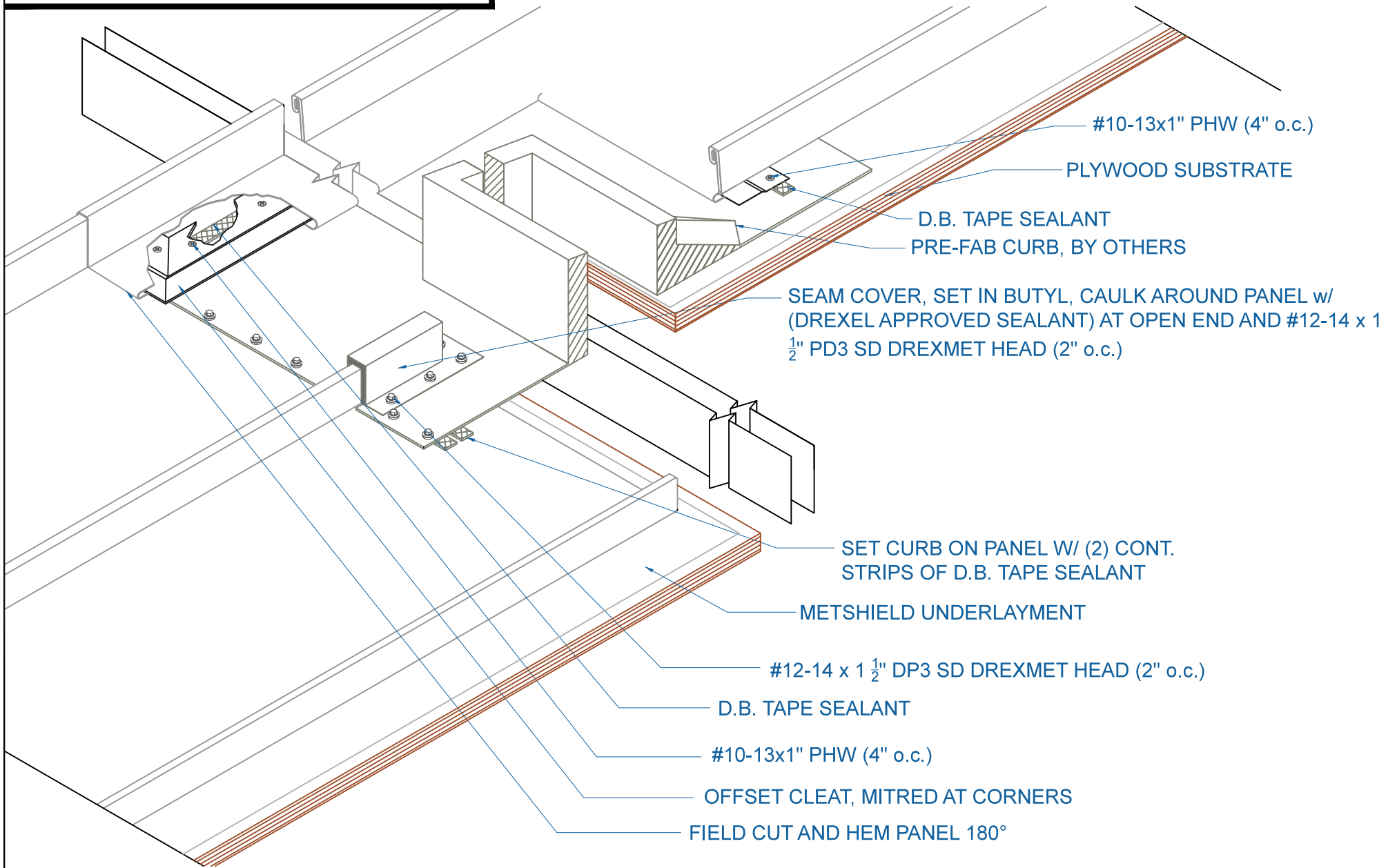


## BOX GUTTER w/RETURN w/STANDING SEAM PANEL

SCALE: 3" = 1'-0"

EFFECTIVE DATE: 01-18-13  
SUBJECT TO CHANGE WITHOUT NOTICE

# DMC 100SS - PLYWOOD

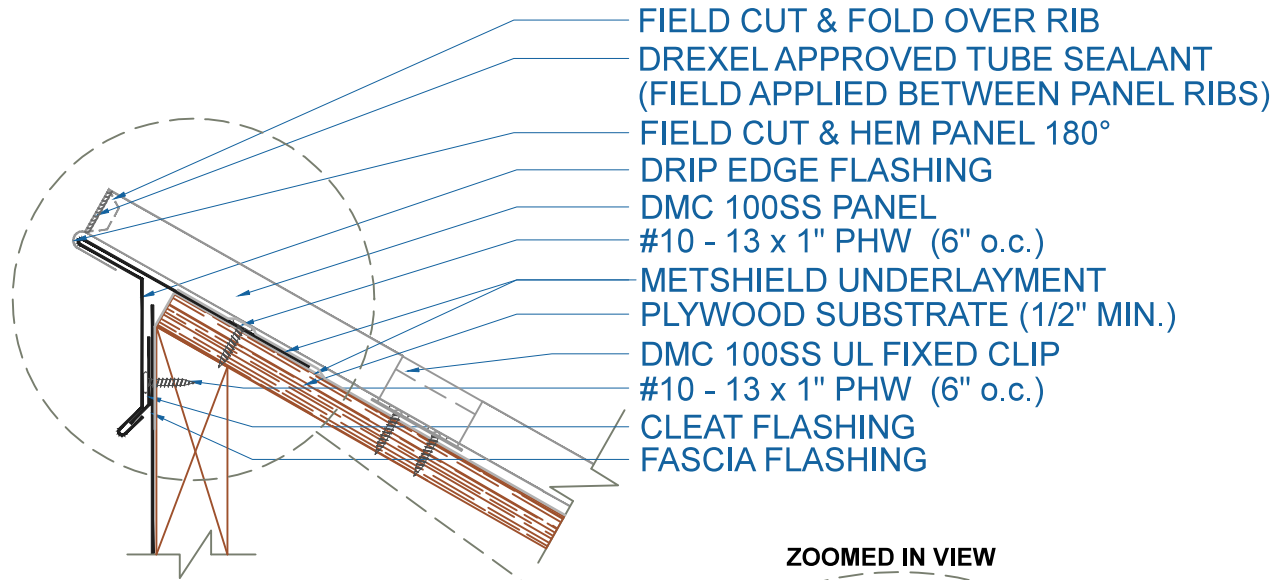


EFFECTIVE DATE: 01-18-2013  
SUBJECT TO CHANGE WITHOUT NOTICE

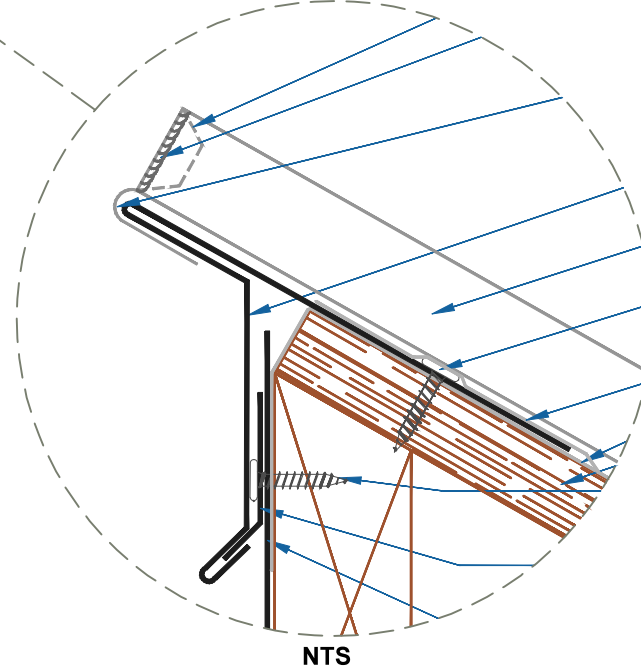
## CURB DETAIL

SCALE: NTS

# DMC 100SS - PLYWOOD



ZOOMED IN VIEW

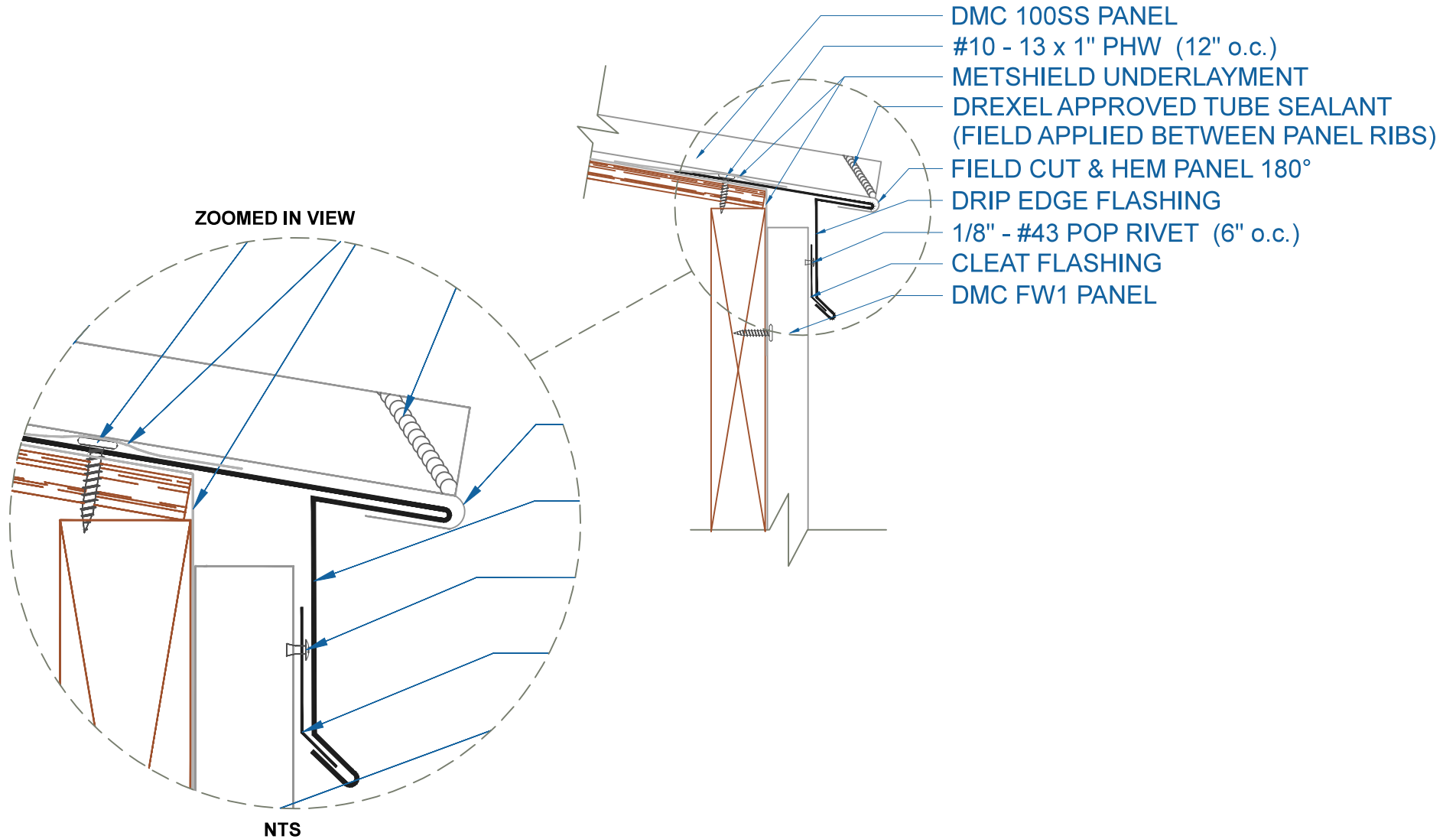


## DRIP EDGE PEAK

SCALE: 3" = 1'-0"

EFFECTIVE DATE: 01-25-13  
SUBJECT TO CHANGE WITHOUT NOTICE

# DMC 100SS - PLYWOOD



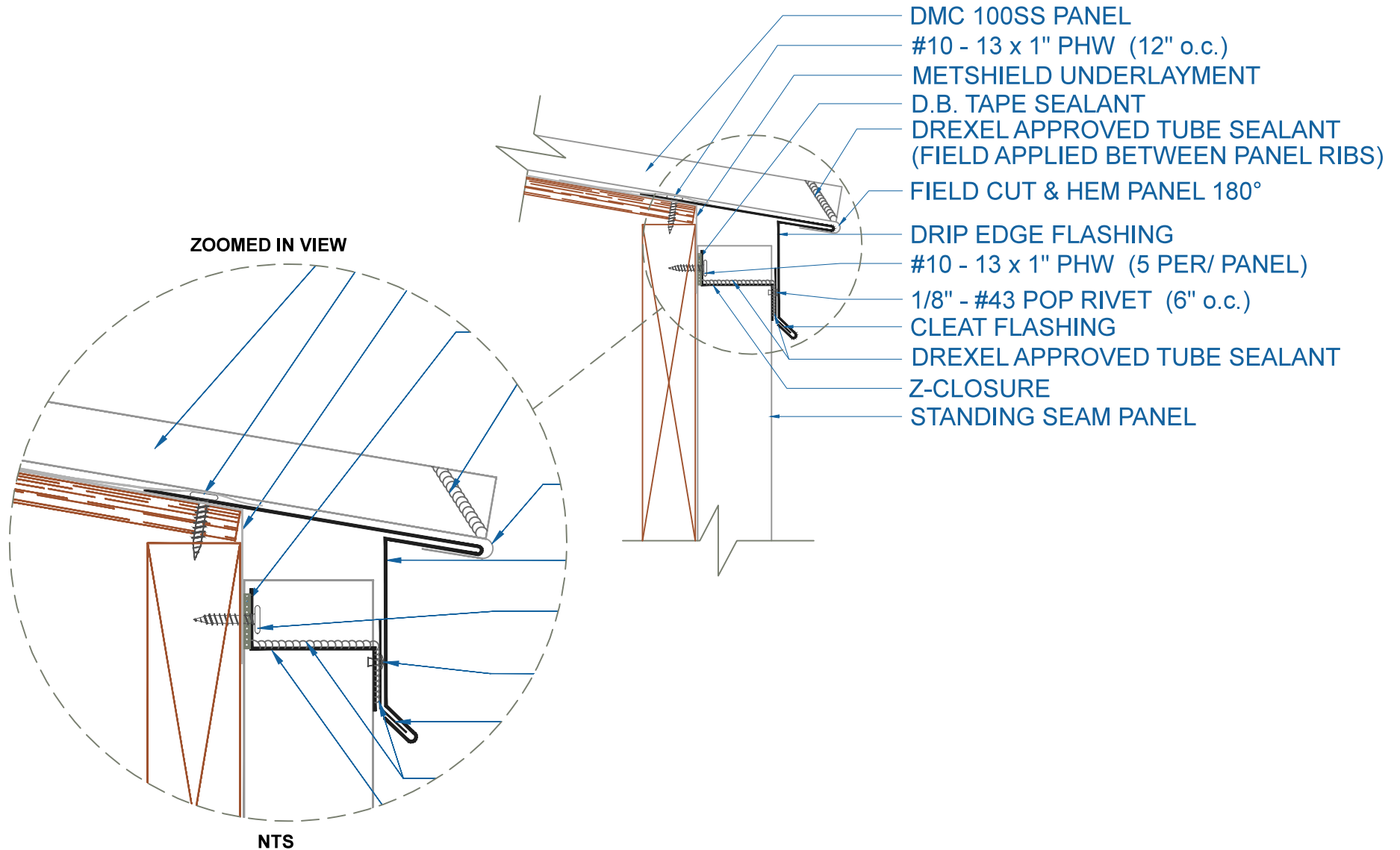
## DRIP EDGE w/FLUSH PANEL

SCALE: 3" = 1'-0"

EFFECTIVE DATE: 01-18-13  
SUBJECT TO CHANGE WITHOUT NOTICE



# DMC 100SS - PLYWOOD



## DRIP EDGE w/STANDING SEAM PANEL

SCALE: 3" = 1'-0"

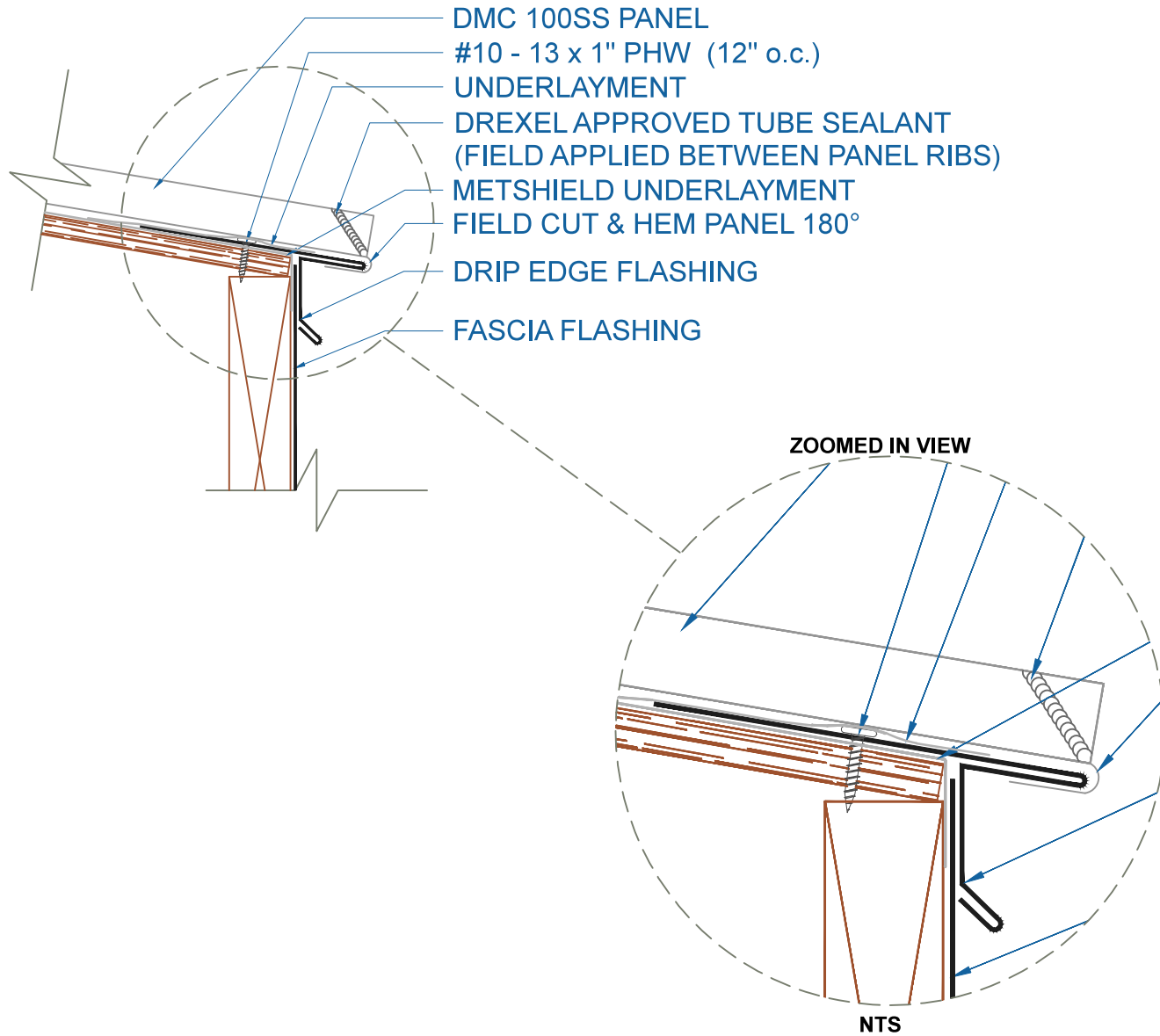
EFFECTIVE DATE: 01-18-13  
SUBJECT TO CHANGE WITHOUT NOTICE

**DrexelMetals**  
Roofing Systems + Custom Fabrication





# DMC 100SS - PLYWOOD



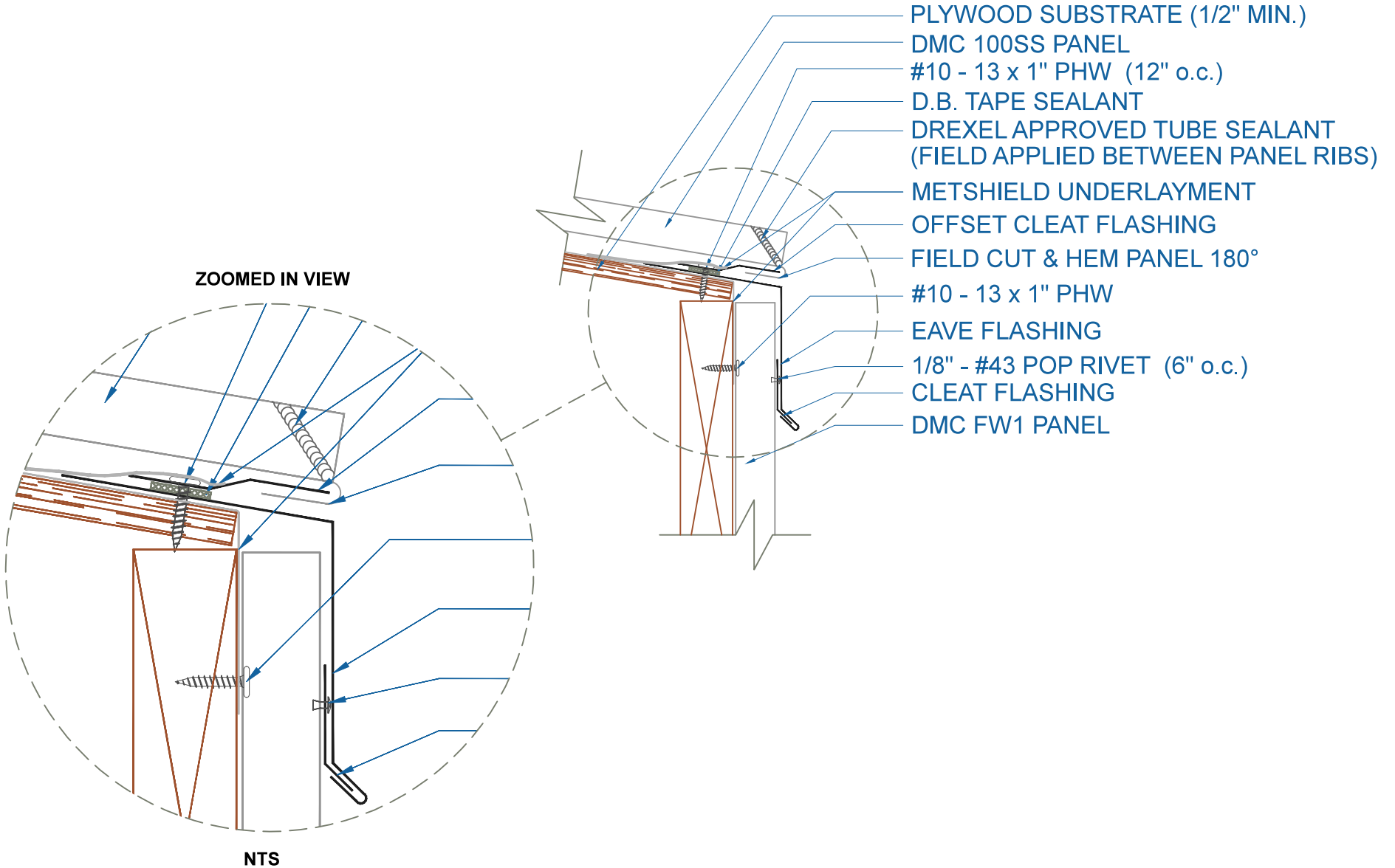
EFFECTIVE DATE: 02-15-2013  
SUBJECT TO CHANGE WITHOUT NOTICE

## DRIP EDGE

SCALE: 3" = 1'-0"



# DMC 100SS - PLYWOOD

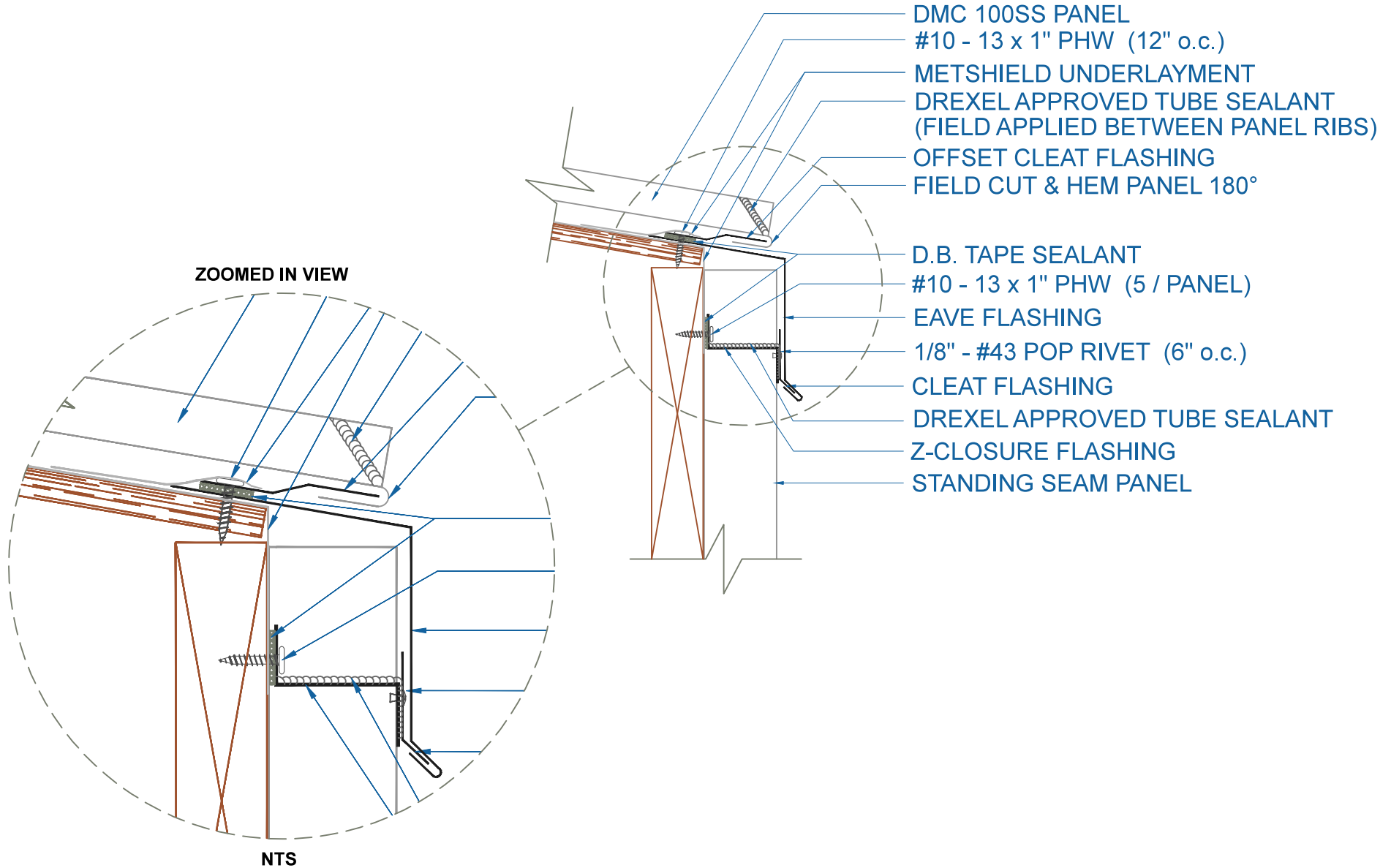


EFFECTIVE DATE: 01-18-13  
 SUBJECT TO CHANGE WITHOUT NOTICE

## EAVE w/FLUSH PANEL

SCALE: 3" = 1'-0"

# DMC 100SS - PLYWOOD

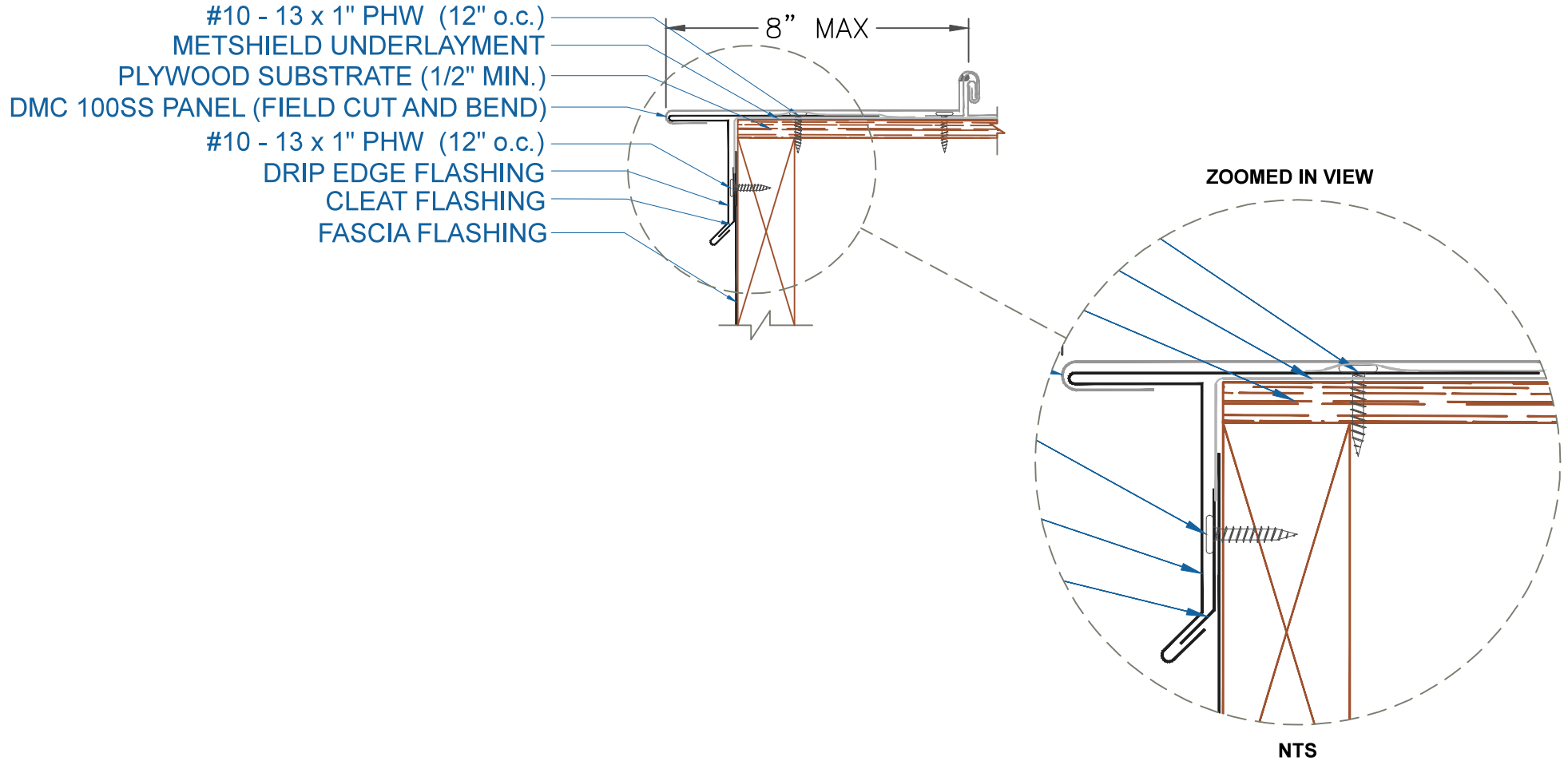


## EAVE w/STANDING SEAM PANEL

SCALE: 3" = 1'-0"

EFFECTIVE DATE: 01-18-13  
SUBJECT TO CHANGE WITHOUT NOTICE

# DMC 100SS - PLYWOOD



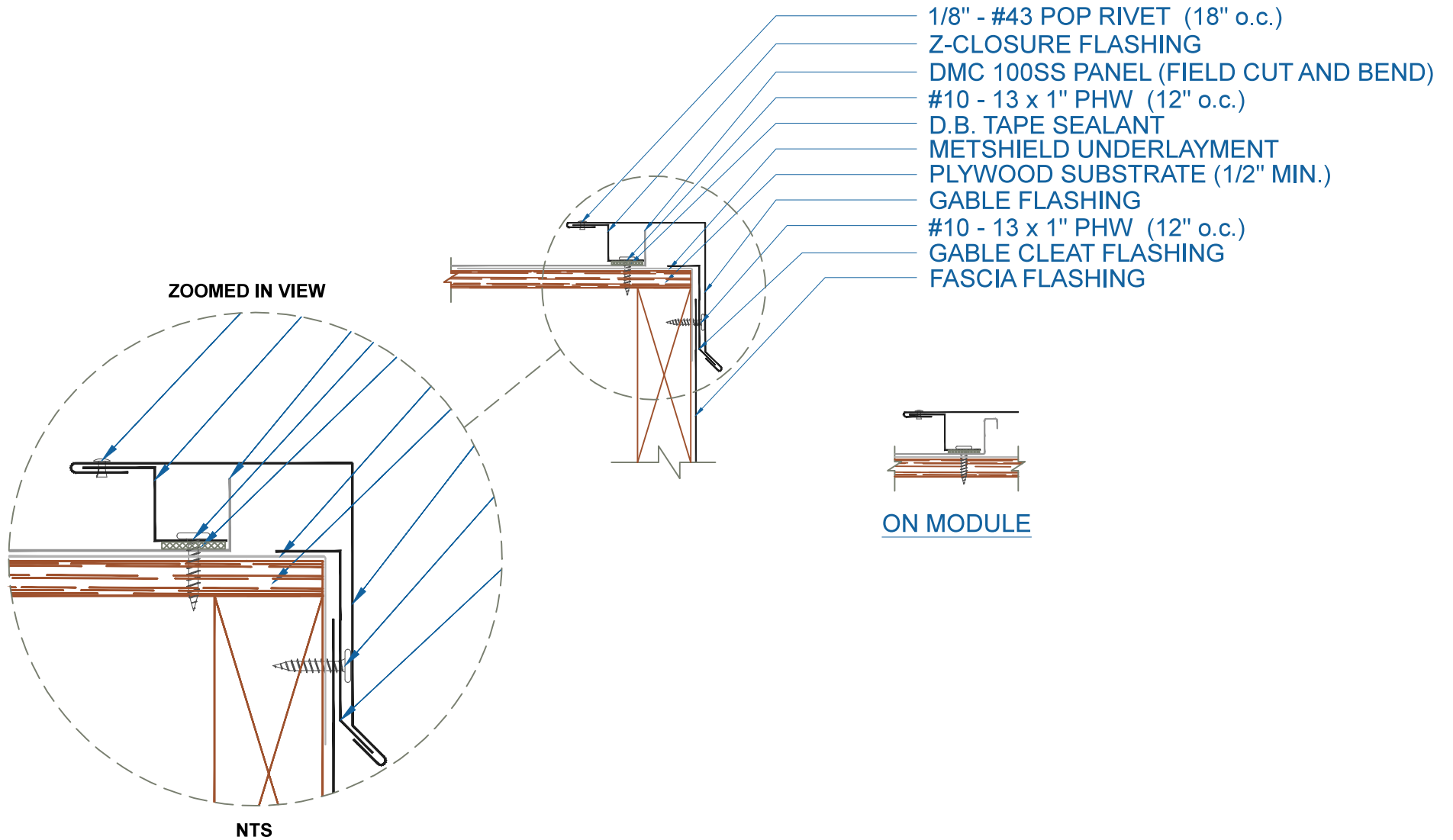
## GABLE ALTERNATE / CURVED

EFFECTIVE DATE: 01-18-13  
SUBJECT TO CHANGE WITHOUT NOTICE

SCALE: 3" = 1'-0"



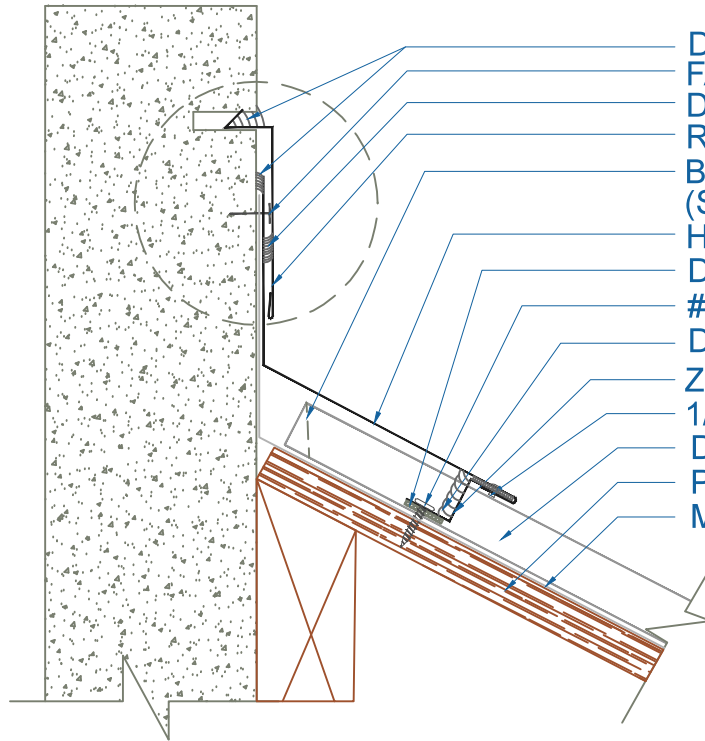
# DMC 100SS - PLYWOOD



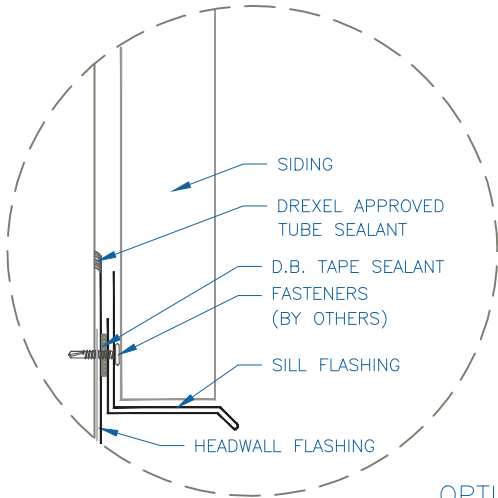
EFFECTIVE DATE: 01-18-13  
 SUBJECT TO CHANGE WITHOUT NOTICE

**GABLE**  
 SCALE: 3" = 1'-0"

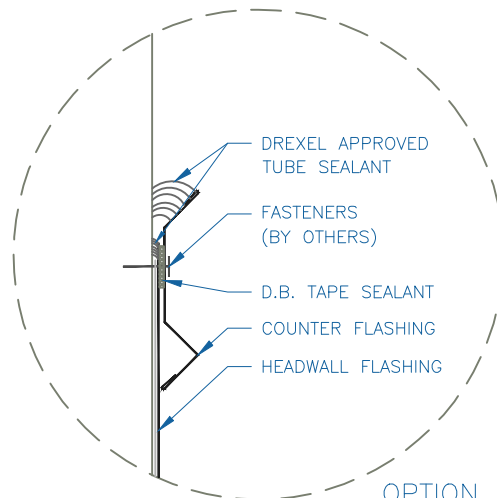
# DMC 100SS - PLYWOOD



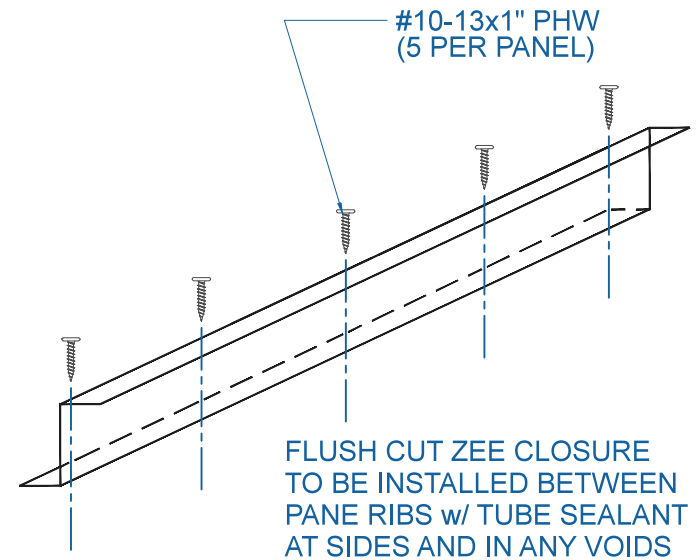
- DREXEL APPROVED TUBE SEALANT
- FASTENERS (BY OTHERS)
- DREXEL APPROVED TUBE SEALANT
- REGLET FLASHING
- BOX END OF PANEL  
(SEE ZEE CLOSURE OPTIONS DETAIL)
- HEADWALL FLASHING
- D.B. TAPE SEALANT
- #10 - 13 x 1" PHW (5 PER PANEL)
- DREXEL APPROVED TUBE SEALANT
- Z-CLOSURE FLASHING
- 1/8" - #43 POP RIVET (18" o.c.)
- DMC 100SS PANEL
- PLYWOOD SUBSTRATE (1/2" MIN.)
- METSHIELD UNDERLAYMENT



OPTION 1



OPTION 2



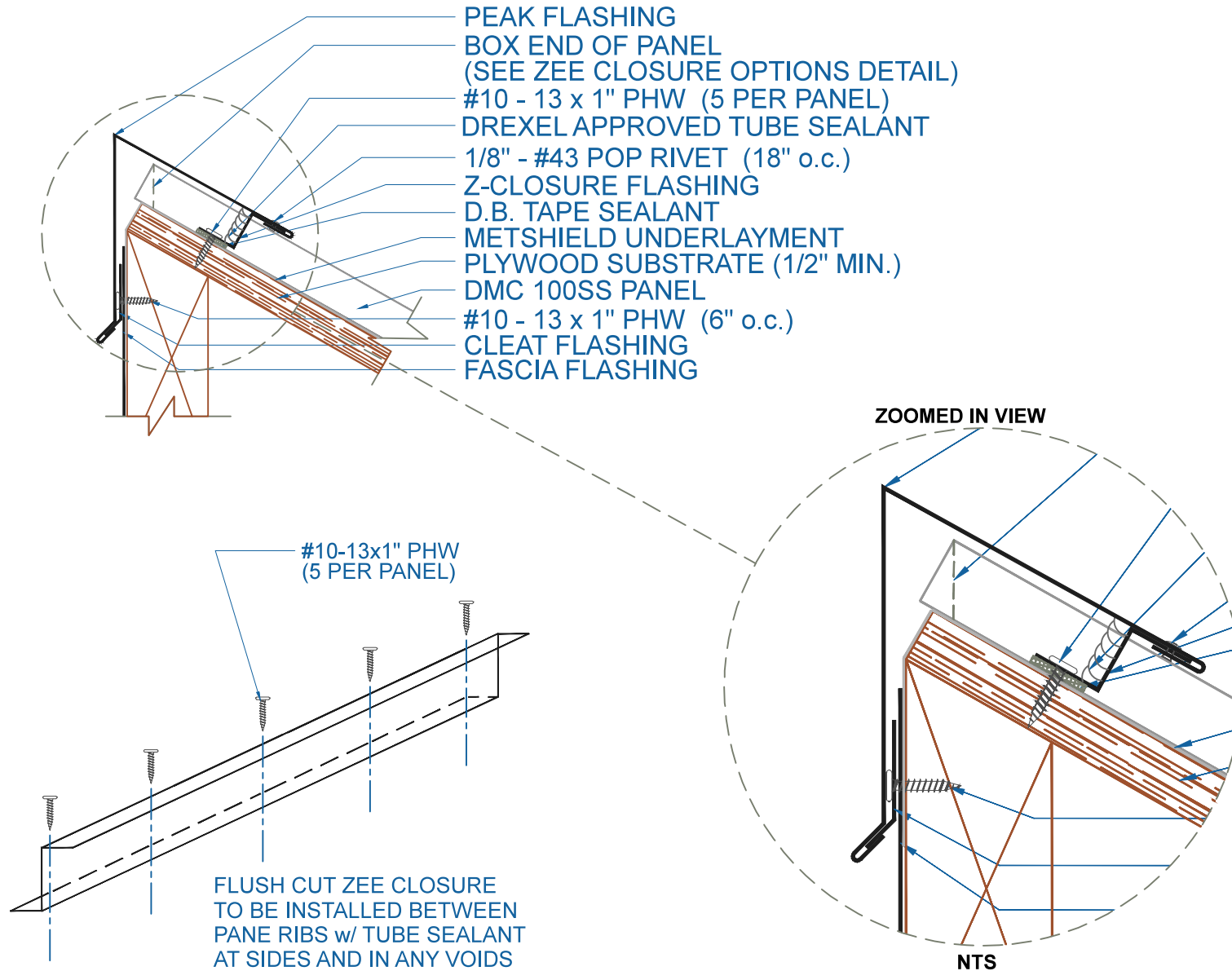
FLUSH CUT ZEE CLOSURE  
TO BE INSTALLED BETWEEN  
PANE RIBS w/ TUBE SEALANT  
AT SIDES AND IN ANY VOIDS

EFFECTIVE DATE: 01-18-13  
SUBJECT TO CHANGE WITHOUT NOTICE

## HEADWALL

SCALE: 3" = 1'-0"

# DMC 100SS - PLYWOOD



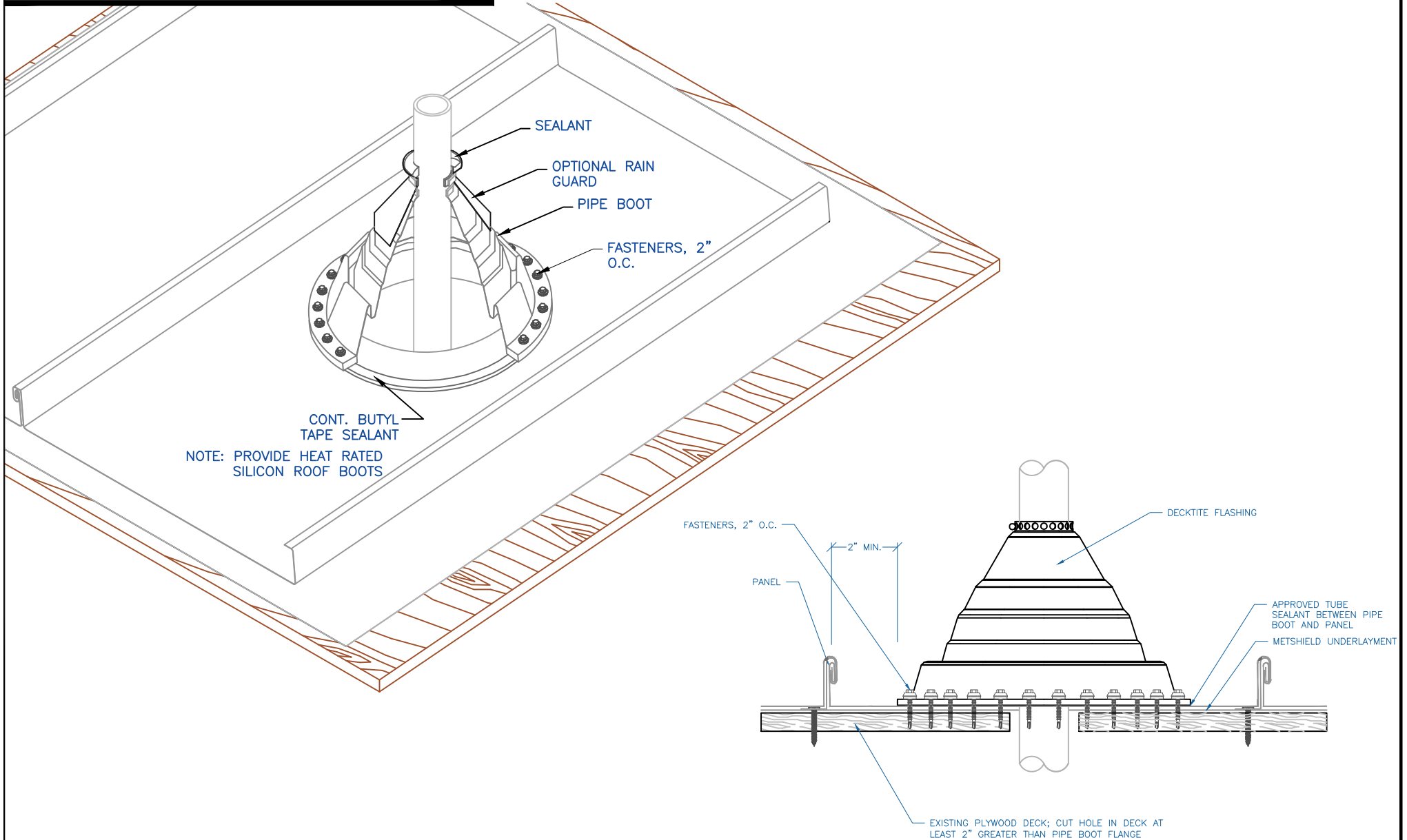
EFFECTIVE DATE: 01-18-13  
 SUBJECT TO CHANGE WITHOUT NOTICE

**PEAK**  
 SCALE: 3" = 1'-0"

**DrexelMetals**  
 Roofing Systems + Custom Fabrication



# DMC 100SS - PLYWOOD

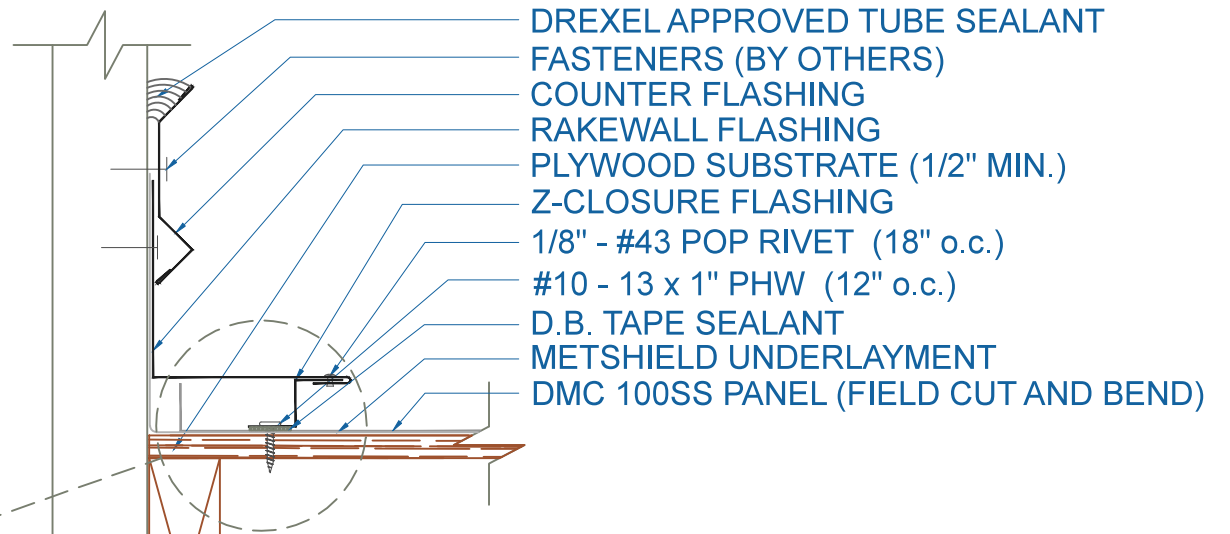


## PIPE FLASHING DETAIL

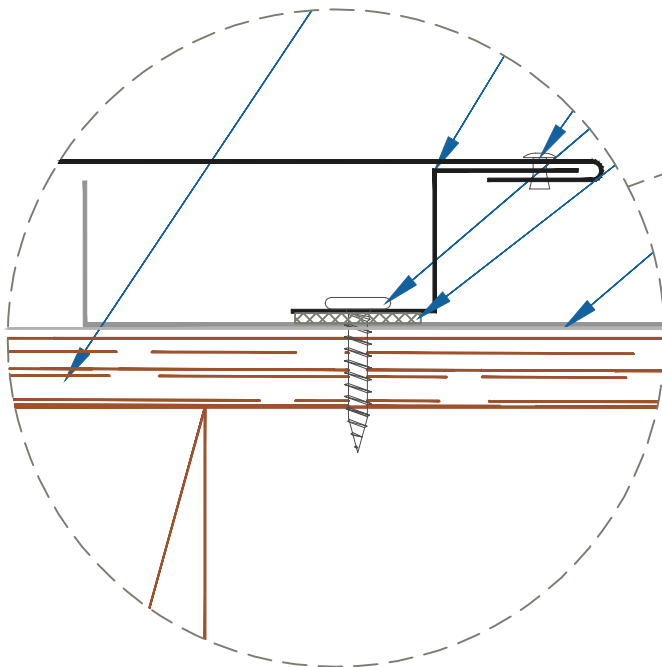
SCALE: NTS



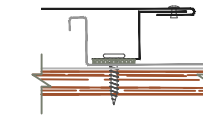
# DMC 100SS - PLYWOOD



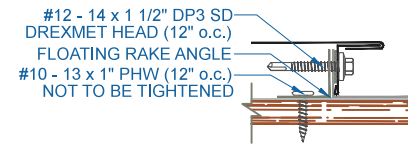
ZOOMED IN VIEW



NTS



ON MODULE



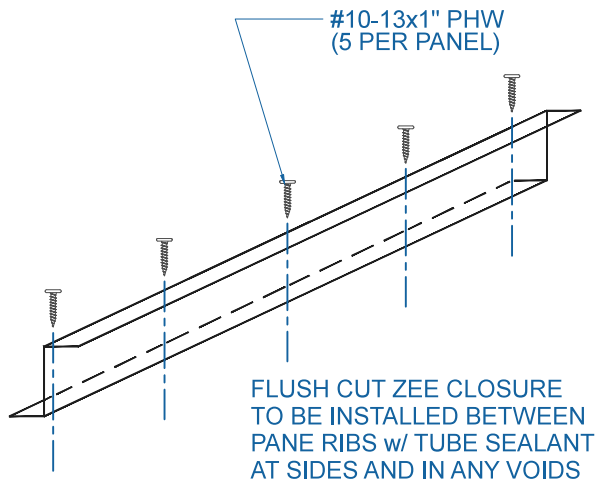
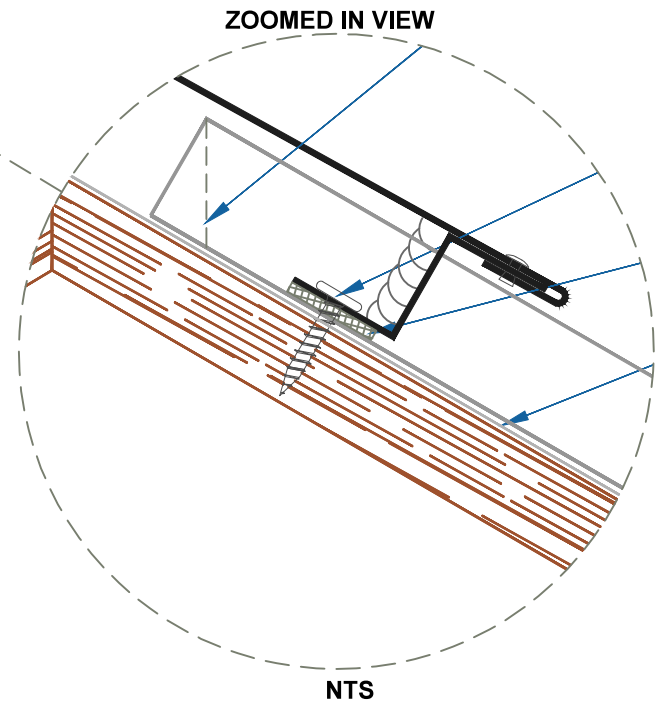
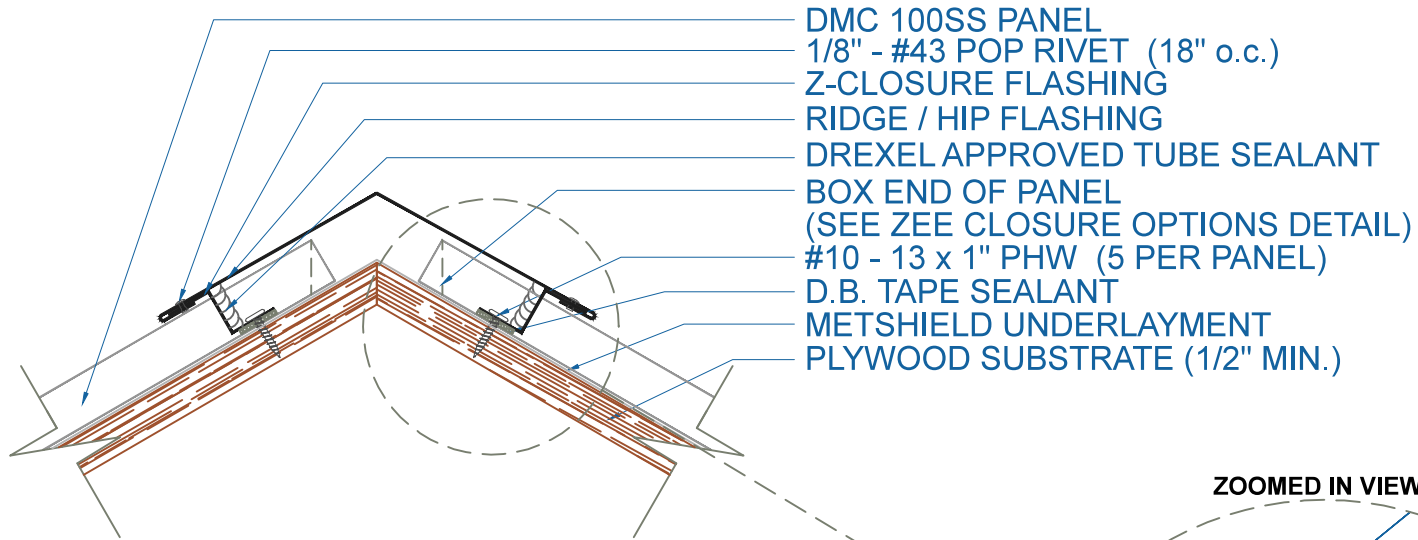
FLOATING RAKEWALL

EFFECTIVE DATE: 01-18-13  
 SUBJECT TO CHANGE WITHOUT NOTICE

## RAKEWALL

SCALE: 3" = 1'-0"

# DMC 100SS - PLYWOOD



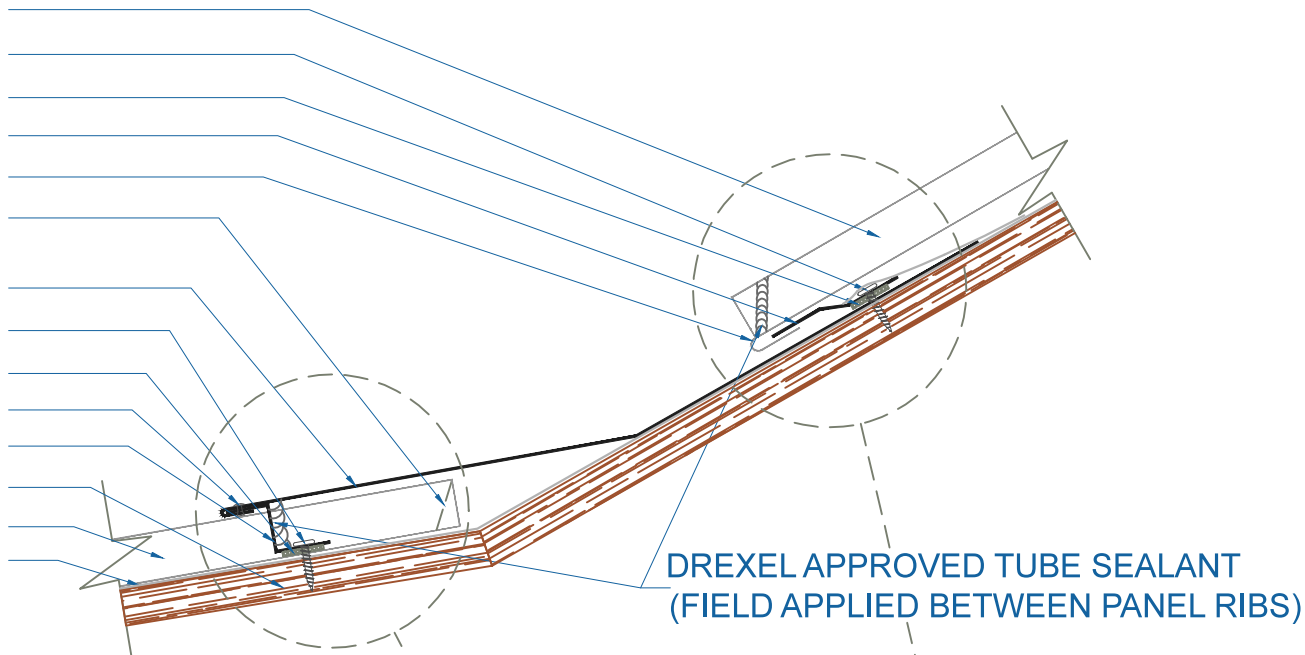
EFFECTIVE DATE: 01-18-13  
 SUBJECT TO CHANGE WITHOUT NOTICE

## RIDGE / HIP

SCALE: 3" = 1'-0"

# DMC100SS - PLYWOOD

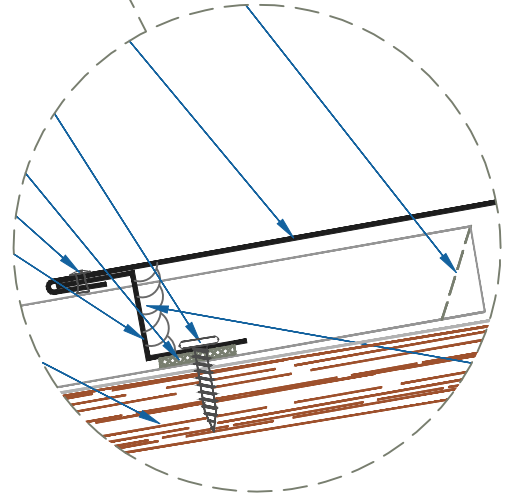
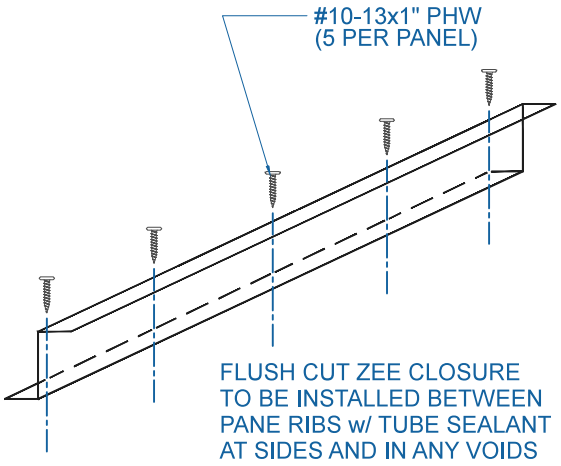
- DMC 100SS PANEL
- #10 - 13 x 1" PHW (12" o.c.)
- D.B. TAPE SEALANT
- OFFSET CLEAT FLASHING
- FIELD CUT & HEM PANEL 180°
- BOX END OF PANEL  
(SEE ZEE CLOSURE OPTIONS DETAIL)
- TRANSITION FLASHING
- #10 - 13 x 1" PHW (5 PER PANEL)
- D.B. TAPE SEALANT
- 1/8" - #43 POP RIVET (18" o.c.)
- Z-CLOSURE
- PLYWOOD SUBSTRATE (1/2" MIN.)
- DMC 100SS PANEL
- METSHIELD UNDERLAYMENT



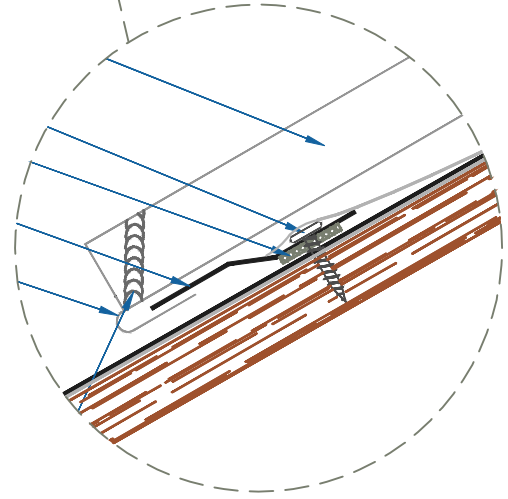
DREXEL APPROVED TUBE SEALANT  
(FIELD APPLIED BETWEEN PANEL RIBS)

ZOOMED IN VIEW

ZOOMED IN VIEW



NTS



NTS

## TRANSITION

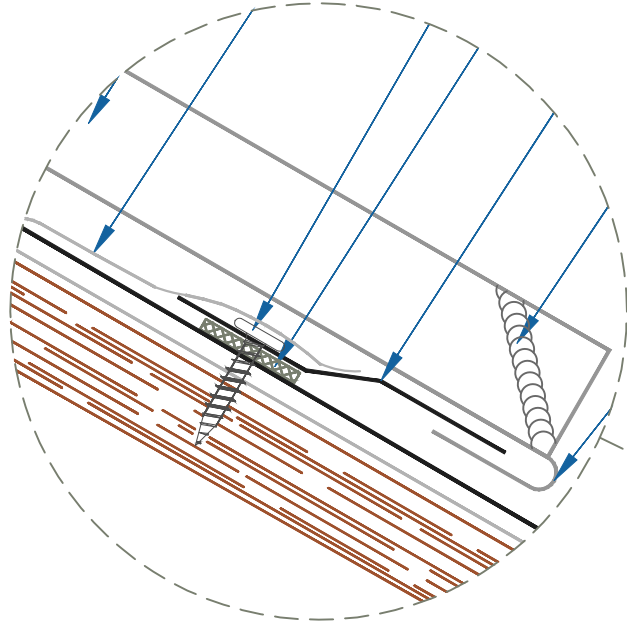
SCALE: 3" = 1'-0"

EFFECTIVE DATE: 01-25-13  
SUBJECT TO CHANGE WITHOUT NOTICE

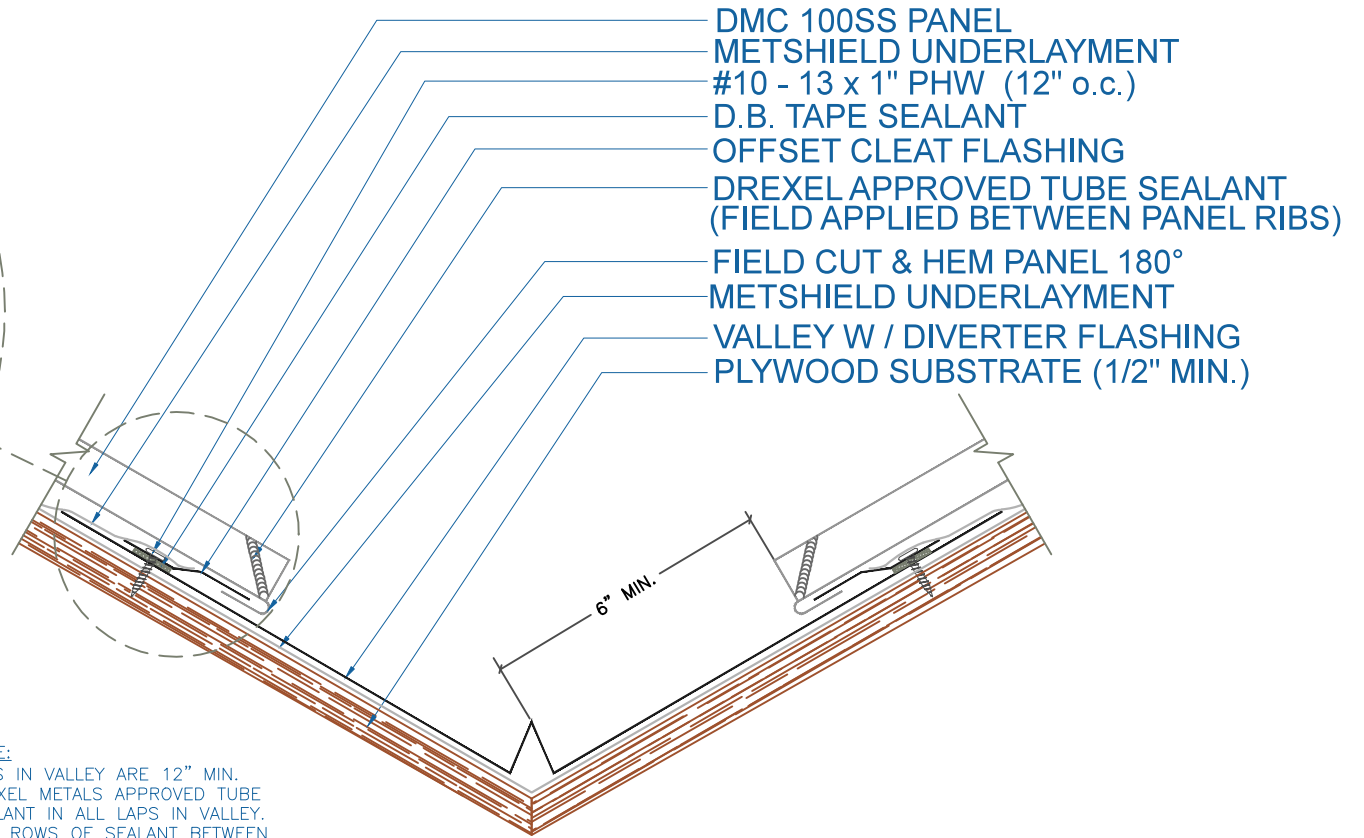


# DMC 100SS - PLYWOOD

ZOOMED IN VIEW



NTS



NOTE:

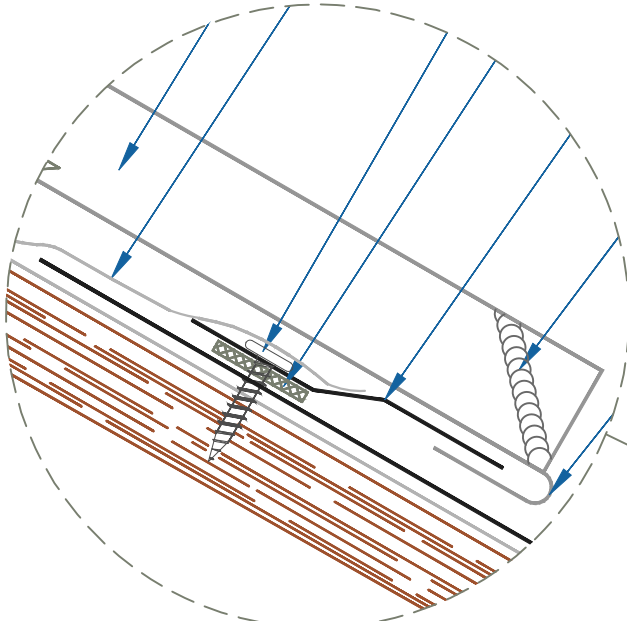
- 1.) LAPS IN VALLEY ARE 12" MIN.  
DREXEL METALS APPROVED TUBE SEALANT IN ALL LAPS IN VALLEY.  
TWO ROWS OF SEALANT BETWEEN VALLEY LAPS, 4" UP FROM LAP.
- 2.) LARGE ROOF AREAS MAY REQUIRE A LARGER GAP BETWEEN PANEL AND DIVERTER TO ALLOW FOR STORM WATER RUN OFF.

## VALLEY W / DIVERTER

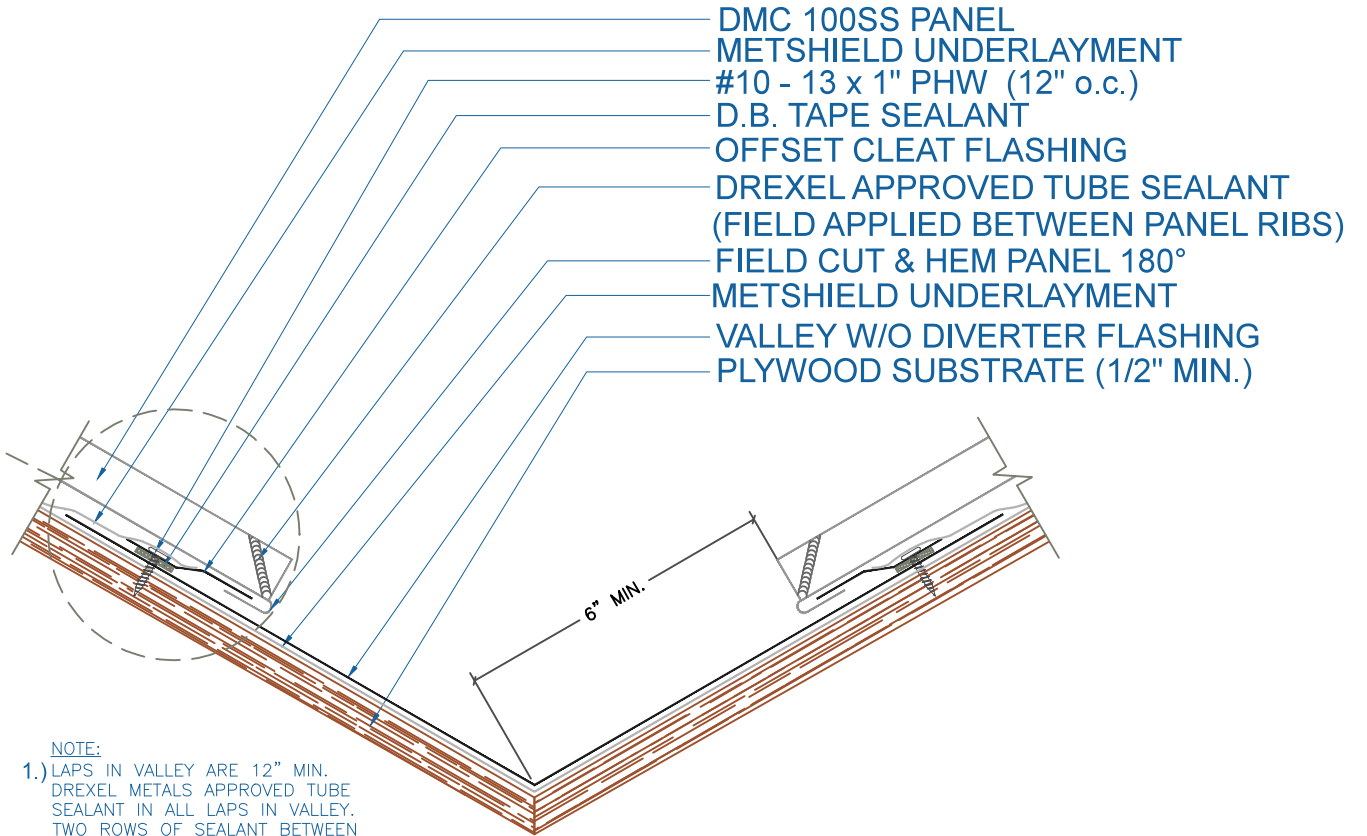
SCALE: 3" = 1'-0"

# DMC 100SS - PLYWOOD

ZOOMED IN VIEW



NTS



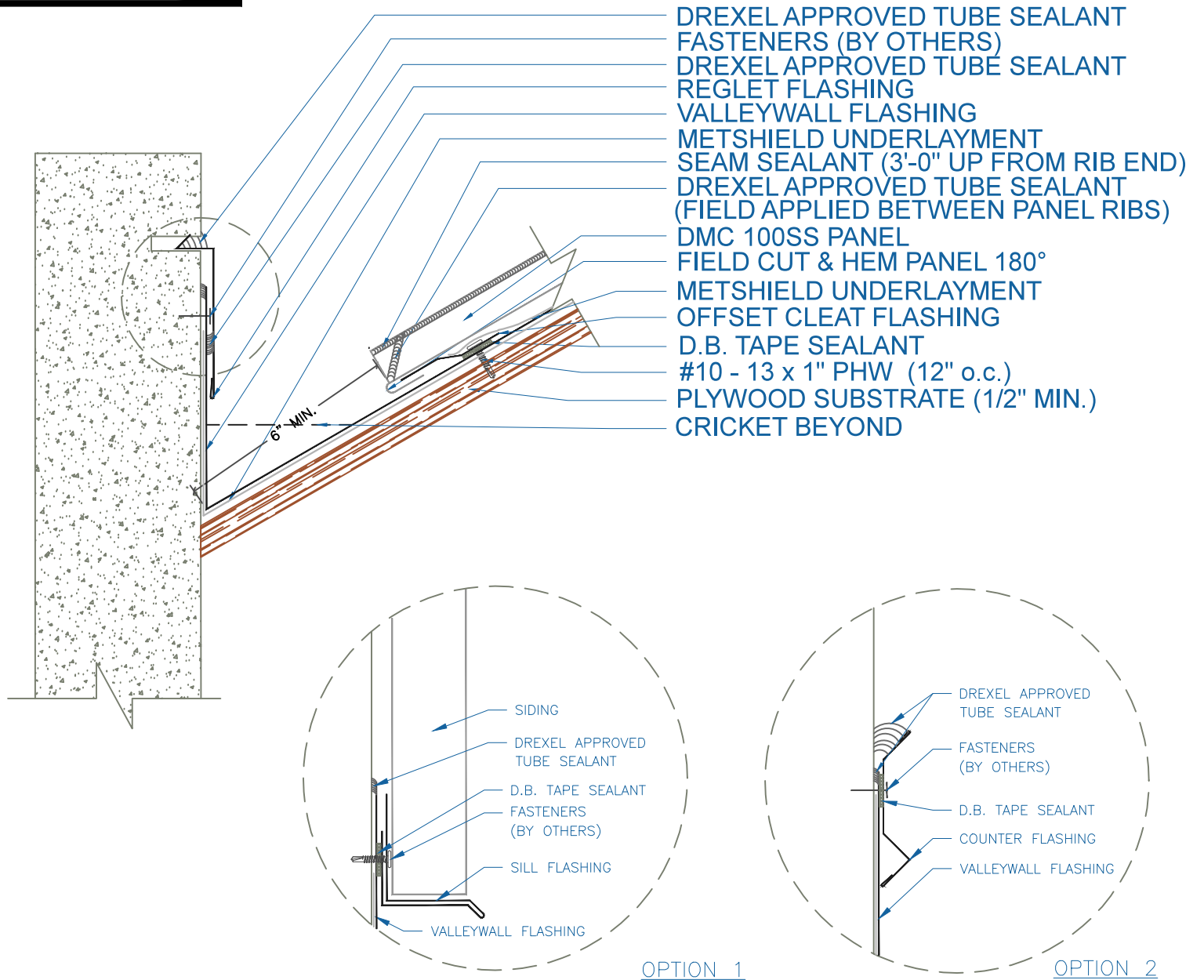
- DMC 100SS PANEL
- METSHIELD UNDERLAYMENT
- #10 - 13 x 1" PHW (12" o.c.)
- D.B. TAPE SEALANT
- OFFSET CLEAT FLASHING
- DREXEL APPROVED TUBE SEALANT  
(FIELD APPLIED BETWEEN PANEL RIBS)
- FIELD CUT & HEM PANEL 180°
- METSHIELD UNDERLAYMENT
- VALLEY W/O DIVERTER FLASHING
- PLYWOOD SUBSTRATE (1/2" MIN.)

- NOTE:
- 1.) LAPS IN VALLEY ARE 12" MIN.  
DREXEL METALS APPROVED TUBE SEALANT IN ALL LAPS IN VALLEY.  
TWO ROWS OF SEALANT BETWEEN VALLEY LAPS, 4" UP FROM LAP.
  - 2.) LARGE ROOF AREAS MAY REQUIRE A LARGER GAP BETWEEN PANEL AND DIVERTER TO ALLOW FOR STORM WATER RUN OFF.

# DMC 100SS - PLYWOOD

**NOTE:**

- 1.) LAPS IN VALLEYWALL ARE 12" MIN. DREXEL METALS APPROVED SEALANT IN ALL LAPS IN VALLEY. TWO ROWS OF SEALANT BETWEEN VALLEYWALL LAPS, 4" UP FROM LAP.
- 2.) LARGE ROOF AREAS MAY REQUIRE A LARGER GAP BETWEEN PANEL AND WALL TO ALLOW FOR STORM WATER RUN OFF.



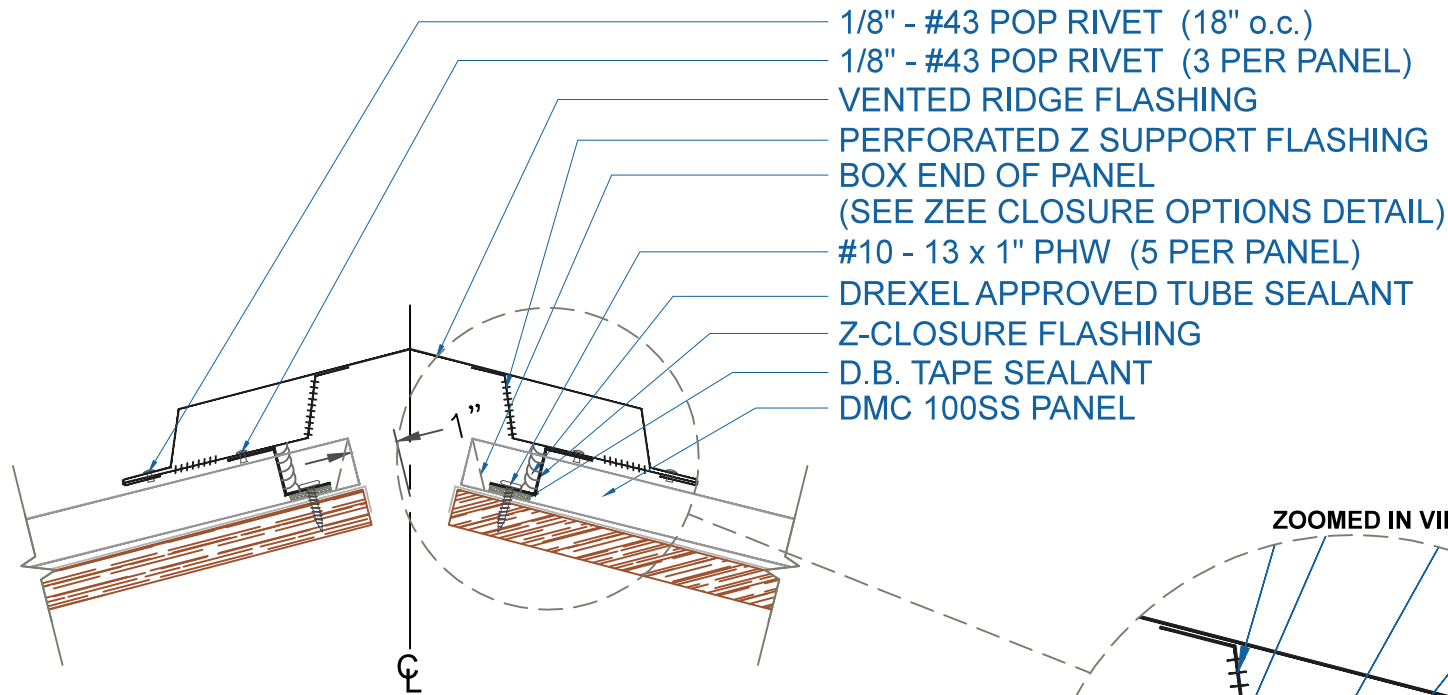
**VALLEYWALL**

SCALE: 3" = 1'-0"

**Drexel Metals**  
Roofing Systems + Custom Fabrication

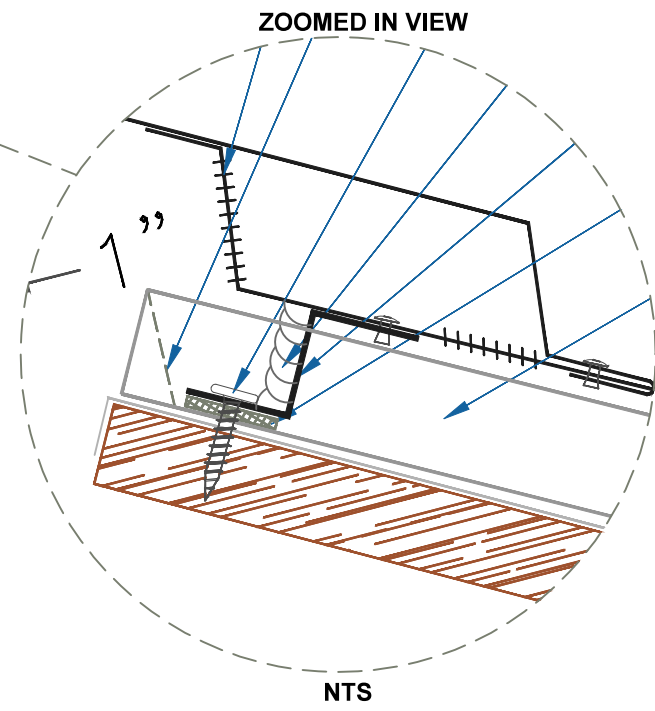
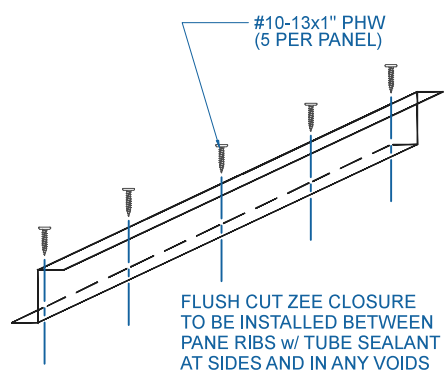


# DMC 100SS - PLYWOOD



- 1/8" - #43 POP RIVET (18" o.c.)
- 1/8" - #43 POP RIVET (3 PER PANEL)
- VENTED RIDGE FLASHING
- PERFORATED Z SUPPORT FLASHING
- BOX END OF PANEL  
(SEE ZEE CLOSURE OPTIONS DETAIL)
- #10 - 13 x 1" PHW (5 PER PANEL)
- DREXEL APPROVED TUBE SEALANT
- Z-CLOSURE FLASHING
- D.B. TAPE SEALANT
- DMC 100SS PANEL

NOTE:  
1.) NET FREE AREA = 6.16 SQ IN/FT



## VENTED RIDGE / HIP

SCALE: 3" = 1'-0"

EFFECTIVE DATE: 01-25-13  
SUBJECT TO CHANGE WITHOUT NOTICE