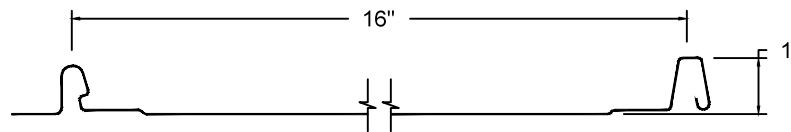
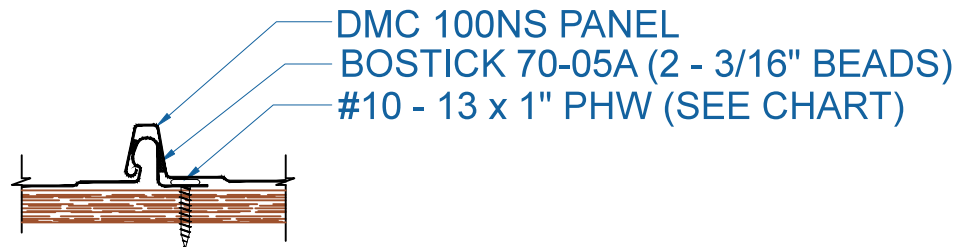
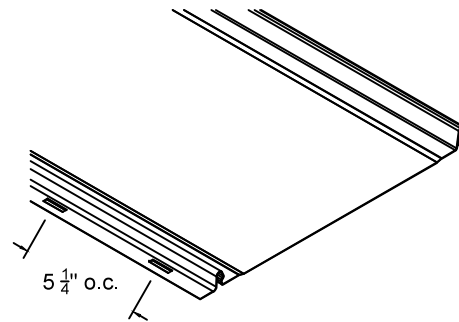


DMC 100NS - SOILD SUBSTRATE



PANEL PROFILE



INSTALLATION

SCALE: NTS
EFFECTIVE DATE: 10-15-13