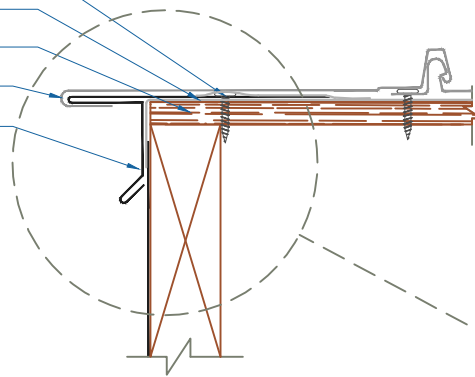
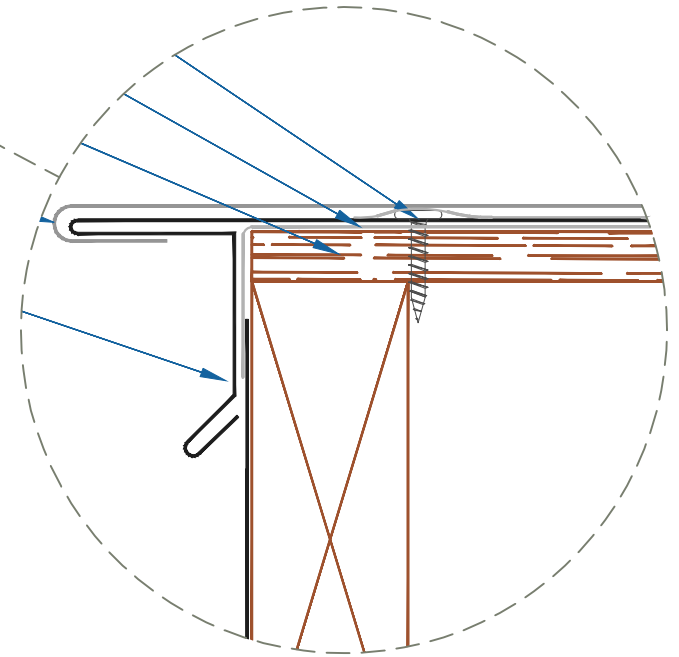


DMC 100NS - PLYWOOD

- #10 - 13 x 1" PHW (12" o.c.)
- UNDERLAYMENT
- PLYWOOD SUBSTRATE
- DMC 100NS PANEL (FIELD CUT AND BEND)
- DRIP EDGE FLASHING



ZOOMED IN VIEW



NTS

