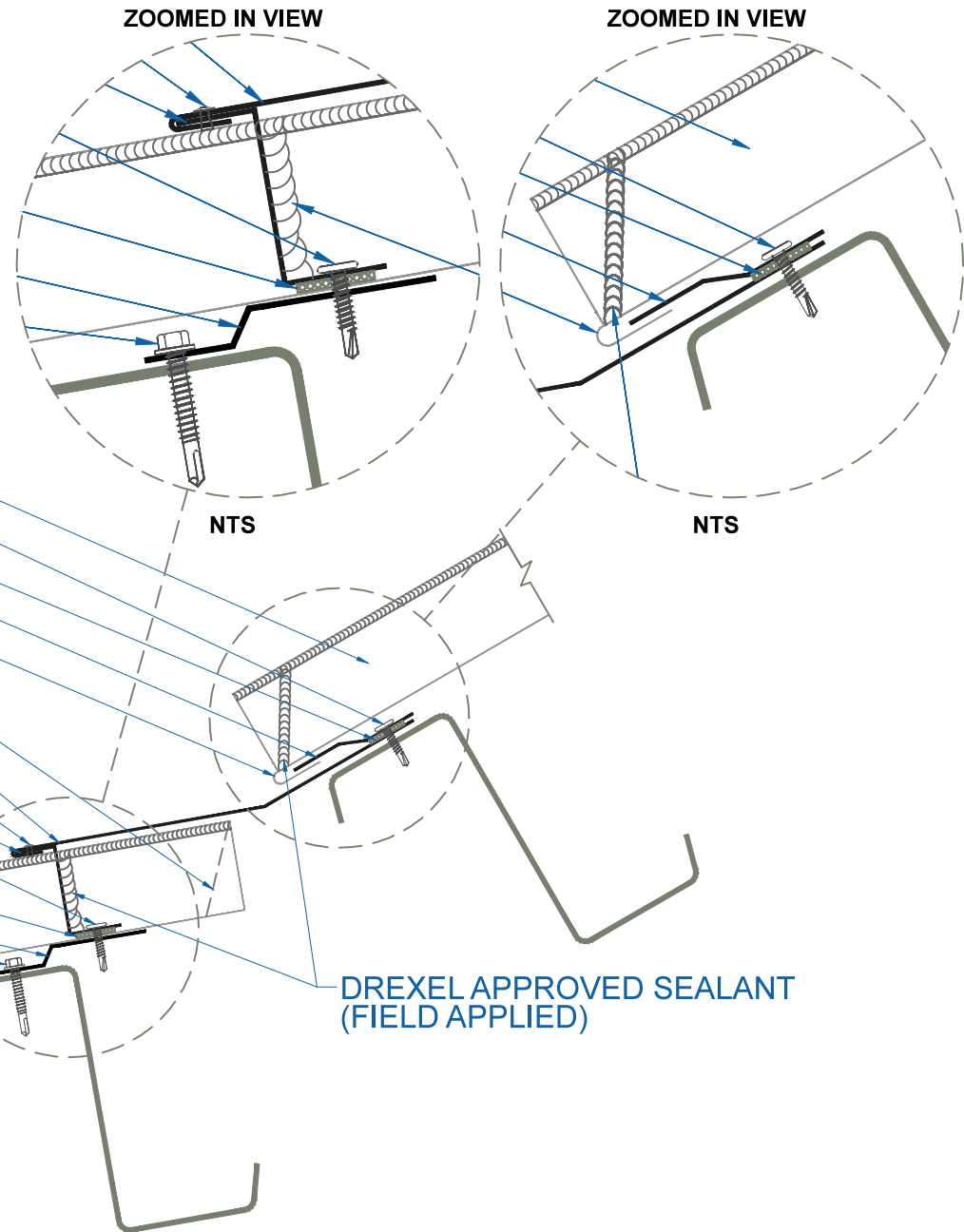
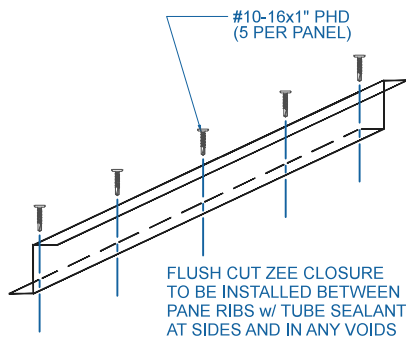


DMC 200S - OPEN FRAMING



- DMC 200S PANEL
- #10 - 16 x 1" DP3 PHD (12" o.c.)
- D.B. TAPE SEALANT
- OFFSET CLEAT FLASHING
- FIELD CUT & HEM PANEL 180°
- BOX END OF PANEL
- TRANSITION FLASHING
- 1/8" - #43 POP RIVET (12" o.c.)
- Z-CLOSURE
- #10 - 16 x 1" DP3 PHD (5 PER PANEL)
- D.B. TAPE SEALANT
- EAVE PLATE 16GA
- 1/4 - 14 x 1 1/2" DP3 SD/NW (12" o.c.)
- DMC 200S PANEL



TRANSITION

SCALE: 3" = 1'-0"

EFFECTIVE DATE: 12-12-12
SUBJECT TO CHANGE WITHOUT NOTICE