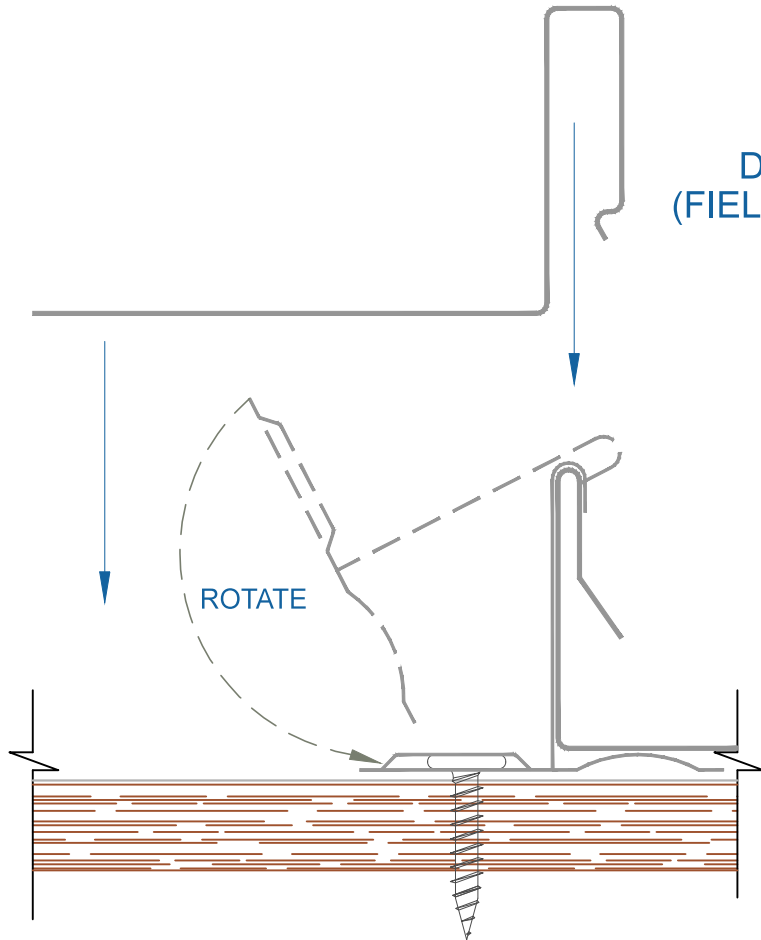


# DMC 175S - SOLID SUBSTRATE



DREXEL APPROVED SEALANT (OPTIONAL)  
(FIELD OR MACHINE APPLIED TUBE SEALANT)

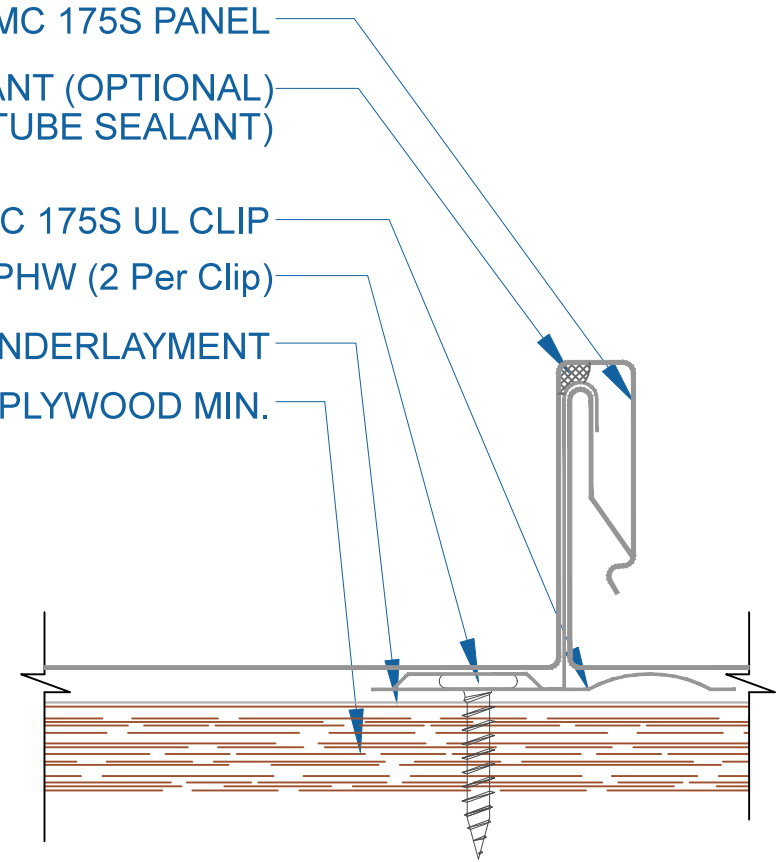
DMC 175S PANEL

DMC 175S UL CLIP

#10 - 13 x 1" PHW (2 Per Clip)

METSHIELD UNDERLAYMENT

1/2" PLYWOOD MIN.



EFFECTIVE DATE: 12-12-12  
SUBJECT TO CHANGE WITHOUT NOTICE

## PANEL INSTALLATION

SCALE: NTS

**DrexelMetals**  
Roofing Systems + Custom Fabrication

