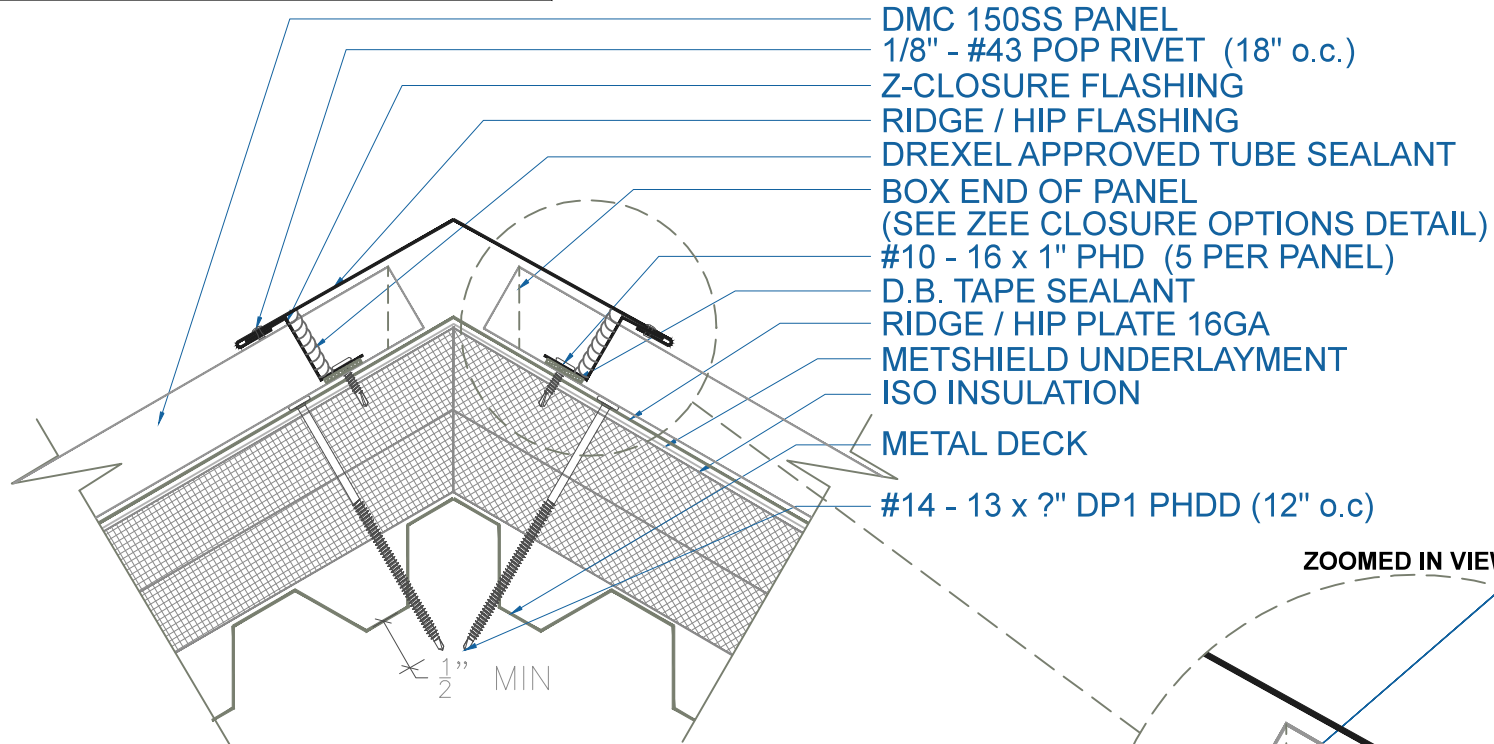


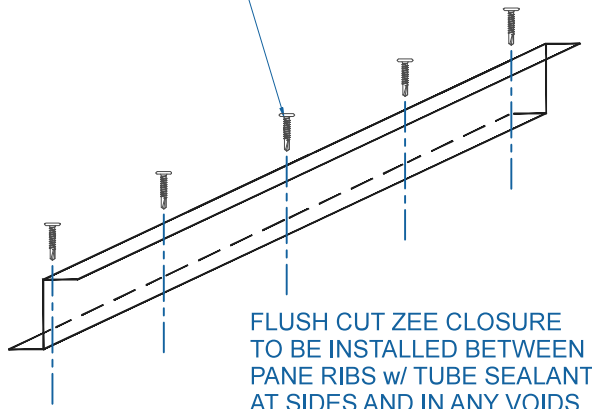
DMC 150SS - ISO / METAL DECK



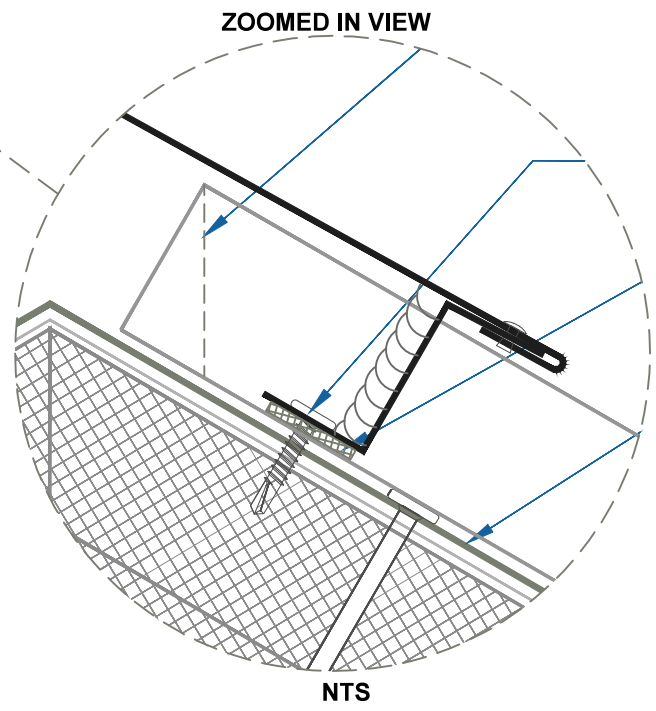
- DMC 150SS PANEL
- 1/8" - #43 POP RIVET (18" o.c.)
- Z-CLOSURE FLASHING
- RIDGE / HIP FLASHING
- DREXEL APPROVED TUBE SEALANT
- BOX END OF PANEL
(SEE ZEE CLOSURE OPTIONS DETAIL)
- #10 - 16 x 1" PHD (5 PER PANEL)
- D.B. TAPE SEALANT
- RIDGE / HIP PLATE 16GA
- METSHIELD UNDERLAYMENT
- ISO INSULATION
- METAL DECK
- #14 - 13 x ?" DP1 PHDD (12" o.c)

1/2" MIN

#10-16x1" PHD
(5 PER PANEL)



FLUSH CUT ZEE CLOSURE
TO BE INSTALLED BETWEEN
PANE RIBS w/ TUBE SEALANT
AT SIDES AND IN ANY VOIDS



ZOOMED IN VIEW

NTS

RIDGE / HIP

SCALE: 3" = 1'-0"

EFFECTIVE DATE: 05-30-2013
SUBJECT TO CHANGE WITHOUT NOTICE