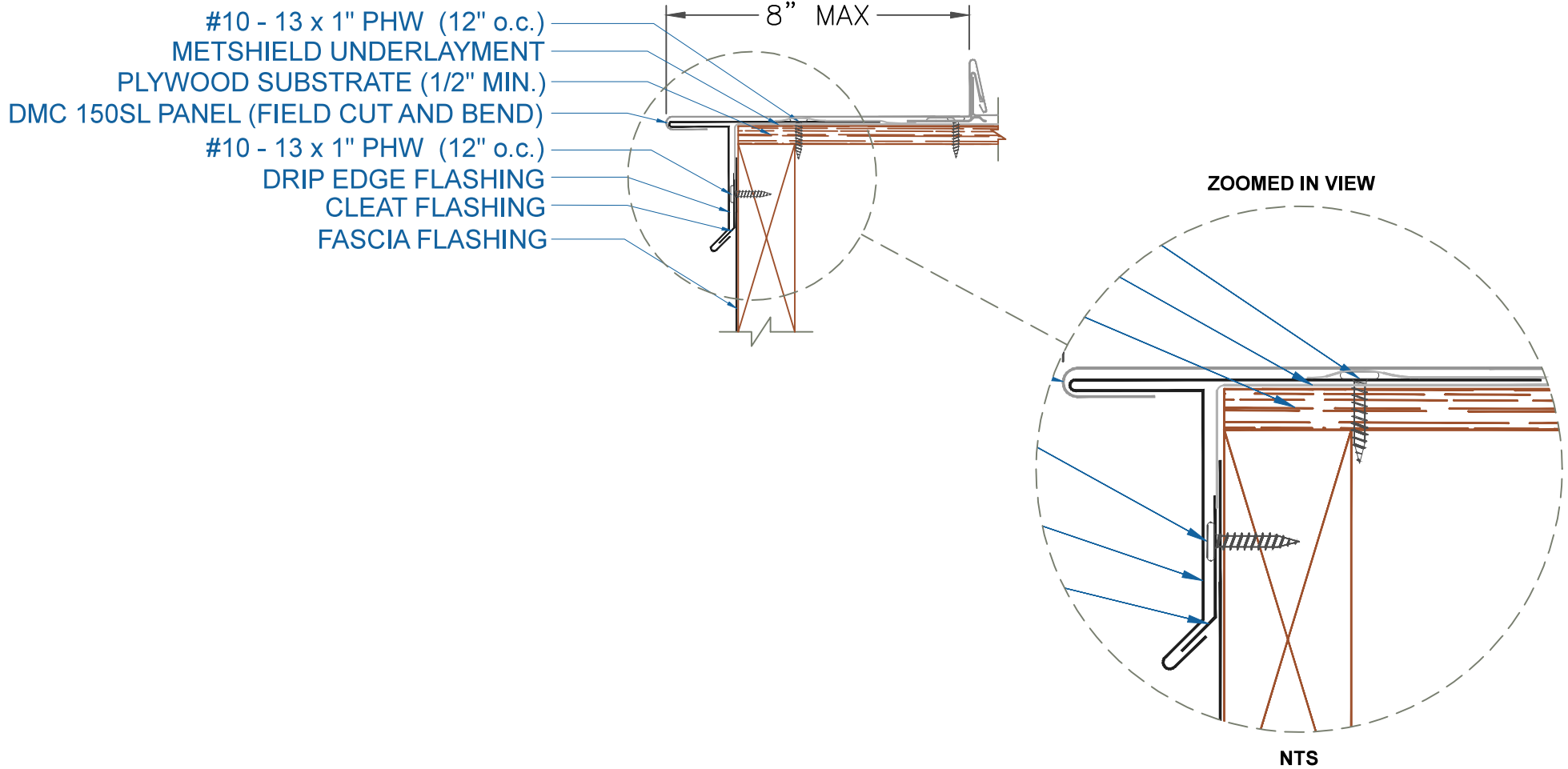


# DMC 150SL - PLYWOOD



## GABLE ALTERNATE / CURVED

SCALE: 3" = 1'-0"

EFFECTIVE DATE: 02-01-13  
SUBJECT TO CHANGE WITHOUT NOTICE

