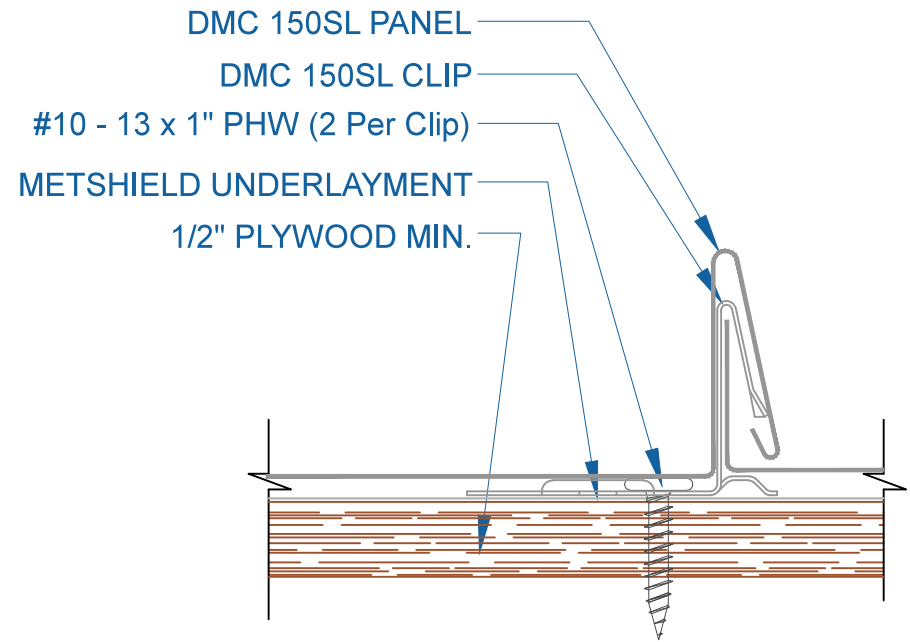
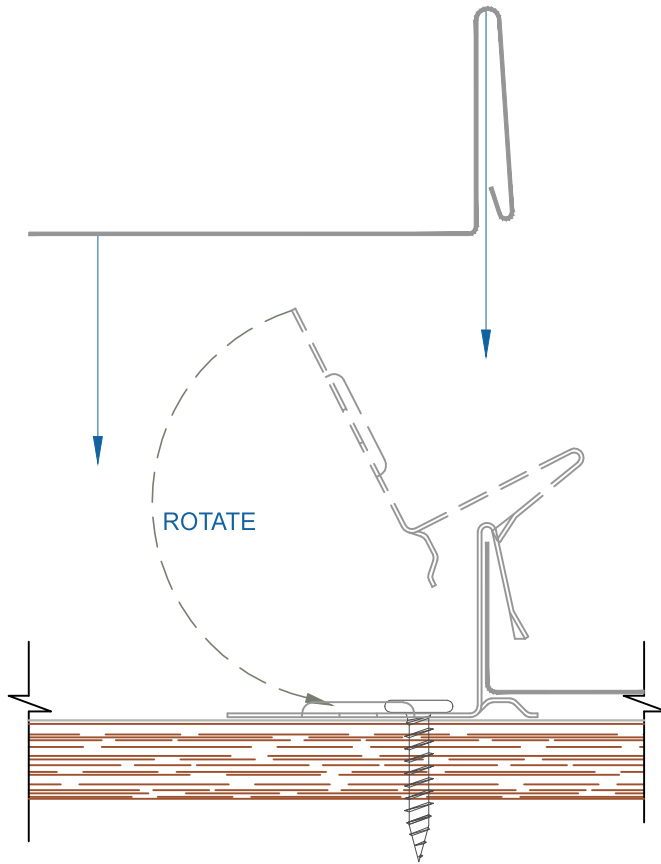


DMC 150SL - SOLID SUBSTRATE



EFFECTIVE DATE: 02-01-13
SUBJECT TO CHANGE WITHOUT NOTICE

INSTALLATION DETAIL

SCALE: NTS